



Round Bale Grabber

RBG Series



Operator's Manual

Rel. 06/26



Page left blank intentionally

**TO THE DEALER:**

Assembly and proper installation of this product is the responsibility of the Tar River dealer. Read manual instructions and safety rules. Make sure all items on the Dealer's Pre-Delivery and Delivery Check Lists in the Owner's/Operator's Manual are completed before releasing equipment to the owner.

TO THE OWNER:

Read this manual before operating your Tar River equipment. The information presented will prepare you to do a better and safer job. Keep this manual handy for ready reference. Require all operators to read this manual carefully and become acquainted with all the adjustment and operating procedures before attempting to operate. Replacement manuals can be obtained from your selling dealer. The equipment you have purchased has been carefully engineered and manufactured to provide dependable and satisfactory use. Like all mechanical products, it will require cleaning and upkeep. Lubricate the unit as specified. Observe all safety information in this manual and safety decals on the equipment. For service, your authorized Tar River dealer has trained mechanics, genuine Tar River service parts, and the necessary tools and equipment to handle all your needs. Use only genuine Tar River service parts. Substitute parts will void the warranty and may not meet standards required for safe and satisfactory operation.

Record your implement model and serial number in the space provide below. Your dealer will need this information to give you prompt, efficient service.

Model Number: _____

Serial Number: _____

Date Purchased: _____



TO THE DEALER: Part 1 of 2

Assembly and proper installation of this product is the responsibility of the Belco Resources Dealer. Read manual instructions and safety rules. Make sure all items on the Dealer's Pre-Delivery List and Owners Check List in the Owner's/Operator's Manual are completed before releasing equipment to the owner.



NOTE: The machine must be inspected thoroughly by the dealer prior to delivery of machine to owner. Place a check mark in the box beside each item checked. Contact Belco Resources Equipment of any damages, issues or shortages to the machine.

Pre-Delivery Checklist - Dealer

- Gearbox oil level
- Check all fluids, hydraulic, gear oil, etc.
- Grease fittings properly lubricated
- Guards, shields, attachments securely fastened
- All hardware tightened
- Condition and tension of V-belts (if applicable)
- Blades properly installed, blade hardware tightened to proper torque specifications
- PTO attached to the machine (if applicable)
- All decals are clean, legible and in proper location
- Operator's Manual on machine

Model #: _____ Serial #: _____

Inspected by (Initials): _____ Date: _____



TO THE DEALER: Part 2 of 2

Dealer is to review the following items to the owner. Place a check mark in the box beside each item reviewed.

Checklist - Owner

- Correct attachment of machine to tractor
- Safe operation of the machine
- Importance of regular lubrication, maintenance and inspection
- Troubleshooting
- Replacing broken or worn parts (importance of using only OEM parts)
- Servicing the machine
- Storage
- Warranty
- Encourage owner to read and understand the Operator’s Manual before operating the machine
- Encourage owner to fill out the “Warranty Registration”, online warranty@br-equipment.com

Purchase Date: _____ **Delivery Date:** _____

Model #: _____ **Serial #:** _____

Dealer Signature _____ **Date:** _____

Customer Signature _____ **Date:** _____

TO THE OWNER:

Read this manual before operating your Belco Resources equipment. The information presented will prepare you to do a better and safer job. Keep this manual handy for ready reference. Require all operators to read this manual carefully and become acquainted with all the adjustment and operating procedures before attempting to operate. Replacement manuals can be obtained from your selling dealer. The equipment you have purchased has been carefully engineered and manufactured to provide dependable and satisfactory use. Like all mechanical products, it will require cleaning and upkeep. Lubricate the machine as specified. Observe all safety information in this manual and safety decals on the equipment. For service, your authorized Belco Resources dealer has trained mechanics, genuine Belco Resources service parts, and the necessary tools and equipment to handle all your needs. Use only genuine Belco Resources service parts. Substitute parts will void the warranty and may not meet standards required for safe and satisfactory operation.



Table of Contents

Introduction	7
Technical Specifications	7
Safety	8
Safety Signal Words	8
General Safety Guidelines	9
Safety Decal Care	9
Before Operation	10
During Operation	11
Highway And Transport Operations	12-13
Operating Instructions	14-18
Maintenance	19-20
Trouble Shooting	21
Torque Specifications	22
Parts Breakdown	23-34
Warranty	35



Technical Specifications

Thank you for purchasing your Tar River “RBG Round Bale Grabber”. The RBG Series Bale Grabber is ideal for gathering, loading and offloading round hay bales. Each model is constructed with durable, structural steel tubular arms. The RBG-101 & 102 is equipped with a single hydraulic cylinder while the RBG-201 & 202 is equipped with two hydraulic cylinders.

Technical Specifications

Model:	RBG-101	RBG-102	RBG-201	RBG-202
# of Cylinders	1	1	2	2
Capacity	2,200 lbs.	2,200 lbs.	2,200 lbs.	2,200 lbs.
Mount Type	Universal Skid Steer	Euro/Global	Universal Skid Steer	Euro/Global
Weight	430 lbs.	430 lbs.	446 lbs.	446 lbs.

Important Safety Information

Safety

It is important that you read the entire manual and to become familiar with this product before you begin using it. This product is designed for certain applications only. The manufacturer cannot be responsible for issues arising from modification. We strongly recommend this product not be modified and /or used for any application other than that for which it is designed. If you have any questions relative to a particular application, DO NOT use the product until you have first contacted us to determine if it can or should be performed on the product.

Read and understand this manual and all safety signs before operating and maintaining . Review the safety instructions and precautions annually.

Safety Signal Words

TAKE NOTE! This safety alert symbol found though out this manual is used to call you attention to instructions involving you personal safety and the safety of others. Failure to follow these instructions can result in injury or death.



**This symbol means:
Attention!
Become alert!
Your safety is involved!**

Note the use of the signal words, **DANGER, WARNING and CAUTION** with the safety messages. The appropriate signal word for each has been selected using the following guidelines:



DANGER: Indicates an imminently hazardous situation that, if not avoided, will result in death or serious injury. This signal word is to be limited to the most extreme situations typically for machine components which, for functional purposes, cannot be guarded.



WARNING: Indicates a potentially hazardous situation that, if not avoided, could result in death or serious injury, and includes hazards that are exposed when guards are removed. It may also be used to alert against unsafe practices.



CAUTION: Indicates a potentially hazardous situation that, if not avoided, may result in minor or moderate injury. It may also be used to alert against unsafe practices.

Important Safety Information

General Safety Guidelines

Safety of the operator is one of the main concerns in designing and developing a new piece of equipment. Designers and manufacturers build in as many safety features as possible. However, every year many accidents occur which could have been avoided by a few seconds of thought and a more careful approach to handling equipment. You, the operator, can avoid many accidents by observing the following precautions in this section. To avoid personal injury, study the following precautions and insist those working with you, or for you, follow them.

Replace any **DANGER, WARNING, CAUTION** or instruction safety decal that is not readable or is missing. Location of such decals are indicated in this manual. Do not attempt to operate this equipment under the influence of drugs or alcohol.

Review the safety instructions with all users annually.

This equipment is dangerous to children and persons unfamiliar with its operation. The operator should be a responsible adult familiar with farm machinery and trained in this equipment's operations. **Do not allow persons to operate or assemble this unit until they have read this manual and have developed a thorough understanding of the safety precautions and of how it works.**

To prevent injury of death, use a tractor equipped with a Roll Over Protection System (ROPS). Do not paint over, remove or deface any signs or warning decals on your equipment. Observe all safety signs and practice the instructions on them.

Never exceed the limits of a piece of machinery. If its ability to do a job, or to do so safely, is in question - **Don't try it!**



Safety Decal Care

- Keep safety signs clean and legible at all times.
- Replace safety signs that are missing or have become illegible.
- Replaced parts that displayed a safety sign should also display the current safety sign
- Safety signs are available from your Distributor or Dealer Parts Department or the factory.

Important Safety Information

How to Install Safety Signs

- Be sure that the installation area is clean and dry.
- Decide on the exact position before you remove the backing paper.
- Remove the smallest portion of the split backing paper.
- Align the decal over the specified area and carefully press the small portion with the exposed sticky backing in place.
- Slowly peel back the remaining paper and carefully smooth the remaining portion of the decal in place.
- Small air pockets can be pierced with a straight pin and smoothed out using the piece of decal backing paper.



Before Operation

- Carefully study and understand this manual.
- Do not wear loose-fitting clothing, which may catch in moving parts.
- Always wear protective clothing and substantial shoes.
- Assure that all tires are inflated evenly.
- Give the machine a visual inspection for any loose bolts, worn parts or cracked welds, and make necessary repairs. Follow the maintenance safety instructions included with this manual.
- Be sure that there are no tools lying on or in the equipment.
- Do not use the machine until you are sure that the area is clear, especially of children and animals.
- Don't hurry the learning process or take the machine for granted. Ease into it and become familiar with your new equipment.
- Practice operation of your equipment and its attachments. Completely familiarize yourself and other operators with its operation before using.
- Use a tractor equipped with a Roll Over Protection System (ROPS) and fasten your seat belt prior to starting engine.
- The manufacturer does not recommend usage of tractor with ROPS removed.
- Move tractor wheels to the widest recommended settings to increase stability.
- Securely attach to towing unit. Use a high strength, appropriately sized hitch pin with a mechanical retainer and attach safety chain.
- Do not allow anyone to stand between the tongue or hitch and the towing vehicle when backing up to the equipment.

Important Safety Information



During Operation

- Children should not be allowed on the product.
- Clear the area of small children and bystanders before moving the machine.
- If using a towing unit, securely attach machine by using a hardened 3/4" pin, a metal retainer, and safety chains if required. Shift towing unit to a lower gear before going down steep downgrades, thus using the engine as a retarding force. Keep towing vehicle in gear at all times. Slow down for corners and rough terrain.
- Make sure you are in compliance with all local and state regulations regarding transporting equipment on public roads and highways. Lights and slow moving signs must be clean and visible by overtaking or oncoming traffic when machine is transported.
- Beware of bystanders, **particularly children!** Always look around to make sure that it is safe to start the engine of the towing vehicle or move the machine. This is particularly important with higher noise levels and quiet cabs, as you may not hear people shouting.
- **NO PASSENGERS ALLOWED!** Do not carry passengers anywhere on, or in, the tractor or equipment, except as required for operation.
- Keep hands and clothing clear of moving parts.
- Do not clean, lubricate or adjust your equipment while it is moving.
- When halting operation, even periodically, set the tractor or towing vehicle brakes, disengage the PTO, shut off the engine and **remove the ignition key.**
- Be especially observant of the operating area and terrain. Watch for holes, rocks or hidden hazards. Always inspect the area prior to operation.
- **DO NOT** operate near the edge of drop-offs or banks.
- **DO NOT** operate on steep slopes as overturns may result.
- Operate up and down (not across) intermediate slopes. Avoid sudden starts and stops.



Warning: Never backup with the machine on the ground! This will cause damage to the machine. Always lift the machine high enough to clear the ground before backing up.

Important Safety Information



Highway and Transport Operations

- Adopt safe driving practices.
- Keep the brake pedals latched together at all times. **Never use independent braking with machine in tow as loss of control and/or upset of machine can result.**
- Always drive at a safe speed relative to local conditions and ensure that your speed is low enough for an emergency stop to be safe and secure. Keep speed at a minimum.
- Reduce speed prior to turns to avoid the risk of overturning.
- Avoid sudden uphill turns on steep slopes.
- Always keep the tractor or towing vehicle in gear to provide engine braking when going downhill. Do not coast.
- Do not drink and drive!
- Comply with state and local laws governing highway safety and movement of farm machinery on public roads.
- Use approved accessory lighting flags and necessary warning devices to protect operators of other vehicles on the highway during daylight and nighttime transport. Various safety lights and devices are available from your dealer.
- The use of flashing amber lights is acceptable in most localities. However, some localities prohibit their use. Local laws should be checked for all highway and marking requirements.
- When driving the tractor and equipment on the road or highway under 40 kph (20 mph) at night or during the day, use the amber warning lights and a slow moving vehicle (SMV) identification emblem.
- Plan your route to avoid heavy traffic.
- Be a safe and courteous driver. Always yield to oncoming traffic in all situations, including narrow bridges, intersections, etc.
- Be observant of bridge loading ratings. Do not cross bridges rated at lower than the gross weight at which you are operating.
- Watch for obstructions overhead and to the side while transporting.
- Always operate in a position to provide maximum visibility at all times. Make allowances for increased length and weight of the equipment when making turns, stopping the machine, etc.
- Pick the most level route when transporting across fields. Avoid the edges of ditches or gullies and steep hillsides.
- Be extra careful when working in inclines.

Important Safety Information



Highway and Transport Operations

- Maneuver the tractor or towing vehicle at safe speeds.
- Avoid overhead wires or other obstacles. Contact with overhead lines could cause serious injury or death.
- Avoid loose fill, rocks and holes, they can be dangerous for equipment operation or movement.
- Allow for machine length when making turns,
- Operate the towing vehicle from the operator's seat only.
- Never stand alongside of machine with engine running or attempt to start engine and/or operate machine while standing alongside of machine.
- Never leave running equipment attachments unattended.
- As a precaution, always recheck the hardware on equipment following every 100 hours of operation. Correct all problems. Follow the maintenance safety procedures.



Operating Instructions



Warning: Consult your power machine’s Operator’s Manual to determine appropriate weight requirements and maximum limitations. Lighter power machines may require additional weights to maintain steering control and prevent tipping or roll over.

Check the hitch fit on a regular basis. Improper fit can cause the attachment to come loose from the skid loader/tractor hitch plate and fall off causing damage to the machine or injury to the operator.



Danger: There is a crushing hazard when connecting and disconnecting the quick hitch. Never allow bystanders or animals between the power machine and the bale grabber. Serious injury or death is possible! Never operate the hydraulics with bystanders or animals near the power machine or bale grabber.

Attach Bale Grabber to Universal Skid Steer Mount

The RBG101 & RBG201 Round Bale Grabbers are designed to attach to skid steers, track loaders, and tractor loaders equipped with a Universal Quick Attach Hitch that meets SAE standards.

- Check for and remove any debris in the front loader/skid loader hitch and the bale grabber before attempting to connect that can prevent a solid connection.
- Slowly drive the power machine forward towards the bale grabber with quick hitch attachment lowered and angled to fit under quick hitch attachment plate. Place quick hitch attachment top plate in bale grabber, rotate and lift bale grabber off the ground high enough to secure quick attachment locks. Make sure the quick hitch is firmly seated in the bale grabber hitch. If not, lower the machine and secure. A loose connection is dangerous! The bale grabber can come loose from the machine causing damage to machine and or serious injury or death to the operator.
- Attach hydraulic hoses to the power machine. Hydraulic hoses and quick disconnects are included with the bale grabber. Attach hydraulic hoses to the power machine and check operation. Route hoses so there is no interference with operation of the bale grabber or power machine. Hoses should not rub or pinch. Use extreme caution when dealing with hydraulics. Hydraulic oil is under high pressure! See **Hydraulic Warning** below.
- During operation, periodically check the connection of the quick hitch/bale grabber and condition of hoses/cylinders.

⚠ **WARNING**

	
HIGH PRESSURE FLUID HAZARD	
To prevent serious injury or death from high-pressure fluid:	
<ul style="list-style-type: none"> ▪ Relieve pressure on system before repairing or adjusting. ▪ Wear proper hand and eye protection when searching for leaks. Use wood or cardboard instead of hands. ▪ Keep all components in good repair. 	
Z94005	



Operating Instructions



Warning: Consult your power machine’s Operator’s Manual to determine appropriate weight requirements and maximum limitations. Lighter power machines may require additional weights to maintain steering control and prevent tipping or roll over.

Check the hitch fit on a regular basis. Improper fit can cause the attachment to come loose from the skid loader/tractor hitch plate and fall off causing damage to the machine or injury to the operator.



Danger: There is a crushing hazard when connecting and disconnecting the quick hitch. Never allow bystanders or animals between the machine and the bale grabber. Serious injury or death is possible! Never operate the hydraulics with bystanders or animals near the machine or bale grabber.

Attaching Bale Grabber to Euro Hitch

The RBG102 & RBG202 Round Bale Grabbers are designed to attach to skid steers, track loaders, and tractor loaders equipped with a Euro hitch plate.

- Lower the Euro hitch down as far as possible.
- It may be required to manually pull the lock handles on the Euro hitch until lock pins are fully back and ready for attachment.
- Slowly drive the power machine forward toward the bale grabber upper hitch hooks until the mounting bar on the Euro hitch is aligned and positioned under the hooks. It may be necessary to rotate the top of the Euro hitch forward.
- Lift the Euro hitch up until the mounting bar is completely seated under the upper hitch hooks.
- Rotate the top of the Euro hitch back to allow the attachment’s lower hitch lugs to swing in against the Euro hitch. It may be necessary to raise the Euro hitch up to complete the swing in alignment.
- Should the Euro hitch pins not auto-lock, shut off the power machine’s engine, set park brake, manually operate the loaders hitch lever to push lock pins into the lower hitch lugs.
- Verify the lever is locked in position so that locking pins can not back out of pin holes.
- Attach hydraulic hoses to the power machine. Hydraulic hoses and quick disconnects are included with the bale grabber. Attach hydraulic hoses to the power machine and check operation. Route hoses so there is no interference with operation of the bale grabber or power machine. Hoses should not rub or pinch. Use extreme caution when dealing with hydraulics. Hydraulic oil is under high pressure! See **Hydraulic Warning** below.
- During operation, periodically check the connection of the quick hitch/bale grabber and condition of hoses/cylinders.

⚠ WARNING




HIGH PRESSURE FLUID HAZARD

To prevent serious injury or death from high-pressure fluid:

- Relieve pressure on system before repairing or adjusting.
- Wear proper hand and eye protection when searching for leaks. Use wood or cardboard instead of hands.
- Keep all components in good repair.

294005



Operating Instructions



Warning: Consult the your power machine's Operator's Manual for lifting capacities and operating capacities & specifications. Exceeding these capacities and specifications can result in loss of control, roll over or other serious hazards. Failure to heed these warnings can result in serious injury or death!

Picking Up Round Bales

- The RBG Bale Grabber is for round bales only! The bale grabber arms open 48" to 78". Picking up objects other than round bales can result in tip over of the machine and or cause the operator to lose control. Always pick-up round bales by grasping it as low as possible to maintain stability.
- Lift the round bale high enough to either see over or under the bale while transporting. This will help to maintain stability.
- Never allow bystanders and or animals within the work area while picking-up and transferring a bale.
- **Warning! Bales can shift and fall suddenly without warning from the bale grabber arms!**
- If it is necessary to pick-up a bale on an incline, always approach the bale with the bale grabber facing the incline.
- When placing or removing bales from a stack, keep bystanders and or animals away. Be careful not to push bales off the stack when removing bales or placing bales. Bales pushed off or bumped can cause the bale or bales to fall towards the operator or bystanders. This can result in serious injury or death!
- Never go under a raised bale or allow bystanders to go under a raised bale. Always lower the bale grabber to the ground before leaving the power machine. Never leave the bale grabber in the raised position unattended.
- Always check for overhead obstructions when operating the attachment.
- Never ram the attachment into a bale. This can cause damage to both the attachment and bale.
- Always come to a complete stop in front of the bale to position the bale grabber arms before picking up the bale.
- Never lift the bales by the tips of the bale grabber arms. This can result in damage to the bale grabber and the bale can slip from the arms. See page 18 for correct bale containment.



Operating Instructions



Danger: Be alert of overhead electrical power lines when transporting operating the attachment! Keep the attachment, front loader arms, clear of overhead electrical power lines. Serious injury or death can occur!

Transporting Round Bales

- Always transport bales as low as possible without hitting the ground. The higher the load is carried, the greater the possibility the load could shift and fall, tipping the machine, and cause loss of control of the machine.
- Always travel straight up and down inclines to help prevent roll over of the machine. Never turn on an incline carrying a load. A roll over is highly possible, causing serious injury or death!
- When transporting a load, always be aware of the conditions of the terrain. Soft soil, uneven ground, inclines, slippery surfaces impact machine stability and allowable load height. Be aware of sudden changes in the terrain such as holes, drop offs or ditches that can cause possible rollovers.
- When traveling on public roadways, always comply with all federal, state and local laws. Always drive at a safe speed relative to local conditions and ensure that your speed is low enough for an emergency stop to be safe and secure. Keep machine speed at a minimum. Use approved accessory lighting, flags and necessary warning devices to protect operators of other vehicles on the highway during daylight and nighttime transport.
- Continually monitor the position of the bale in the arms of the bale grabber. If the bale slips, safely stop, lower the bale, open the arms, re-position the arms on the bale, grip the bale, raise the arms then continue.
- Always carry the bale at a suitable height as to not obstruct the operator's view. If possible, carry the bale below the operator's line of site.
- When transporting a load always be aware of surroundings, scanning for pedestrians, traffic, animals and objects.
- Select a safe ground speed when transporting a load. Slow down when cornering. Avoid sudden braking when possible.
- If possible, travel straight up and down inclines, ramps and grades. Avoid turns on inclines, ramps or grades.
- Never raise or lower a bale when the machine is traveling.
- Always slow down when traveling over rough or uneven terrain.
- It is best to load the bales on a trailer or truck bed parked on a level surface. The trailer must be blocked to prevent rolling.



Operating Instructions



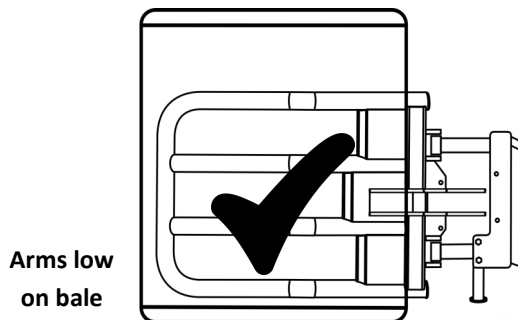
Warning:

To avoid serious injury or death:

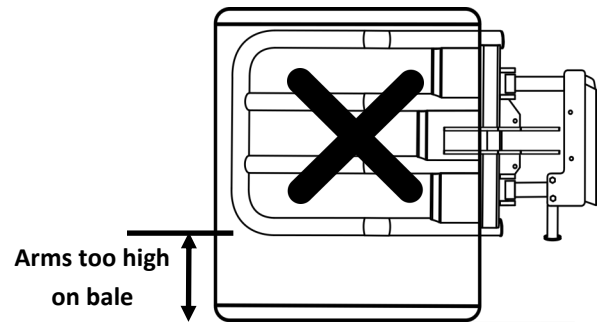
- **Never allow bystanders and or animals in work area when releasing a bale. The bale can shift, fall suddenly and possibly cause injury or death.**
- **Never allow bystanders and or animals in work area while stacking bales. When stacking bales, be careful to not bump or push other bales off the stack. Bales can fall towards the operator and or bystanders causing serious injury or death!**

Releasing Round Bales

- Always come to a complete stop before releasing the round bale.
- Lower the round bale on the desired surface as flat as possible.
- Once in position, open bale grabber arms slowly and release the bale. Slowly back the power machine away from the stack, being careful to not upset other bales in the stack.



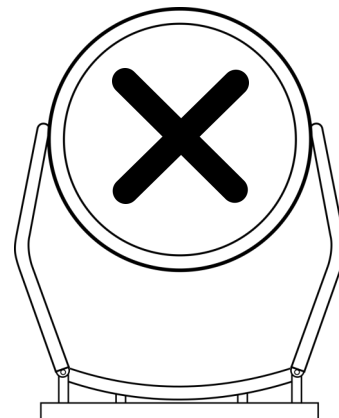
Correct Bale Containment



Incorrect Bale Containment



Correct Bale Containment



Incorrect Bale Containment

Maintenance

To carry out maintenance on this machine follow the safety recommendation listed in this manual.

- Engage park brake, shut off power machine and remove key before proceeding with any of the following maintenance.
- Be sure that the area where the maintenance is to be carried out is dry, clean and level.
- Suitable safety stands are always to be used if the machine is required to be raised. Never rely on the power machine hydraulics when working beneath the machine.
- Correct servicing and adjustment is the key to the long life of any farm implement. With careful and systematic inspection you can avoid costly downtime, maintenance and repairs.

Pre-Operating Checks

- Check that all bolts are tight, pins and clips are in the correct position.
- Check hydraulic hoses and connections for leaks.
- Check condition of machine for damage, replace damaged parts are required.

Perform scheduled maintenance

- Check that all bolts are tightened to proper torque specifications (See Torque Specification chart on page 22).
- Check all pins and clips are in the correct position.
- Check hydraulic hoses and connections for leaks. Hydraulic oil is under extreme pressure! Use caution when dealing with hydraulics. See **Hydraulic Warning** below.
- Check condition of machine for damage, replace damaged parts are required. Replace damaged parts with only genuine OEM (Original Equipment Manufacturer). Using parts other than OEM parts will void the manufacturer's warranty and can impair function and performance.



Maintenance

After Season Storage

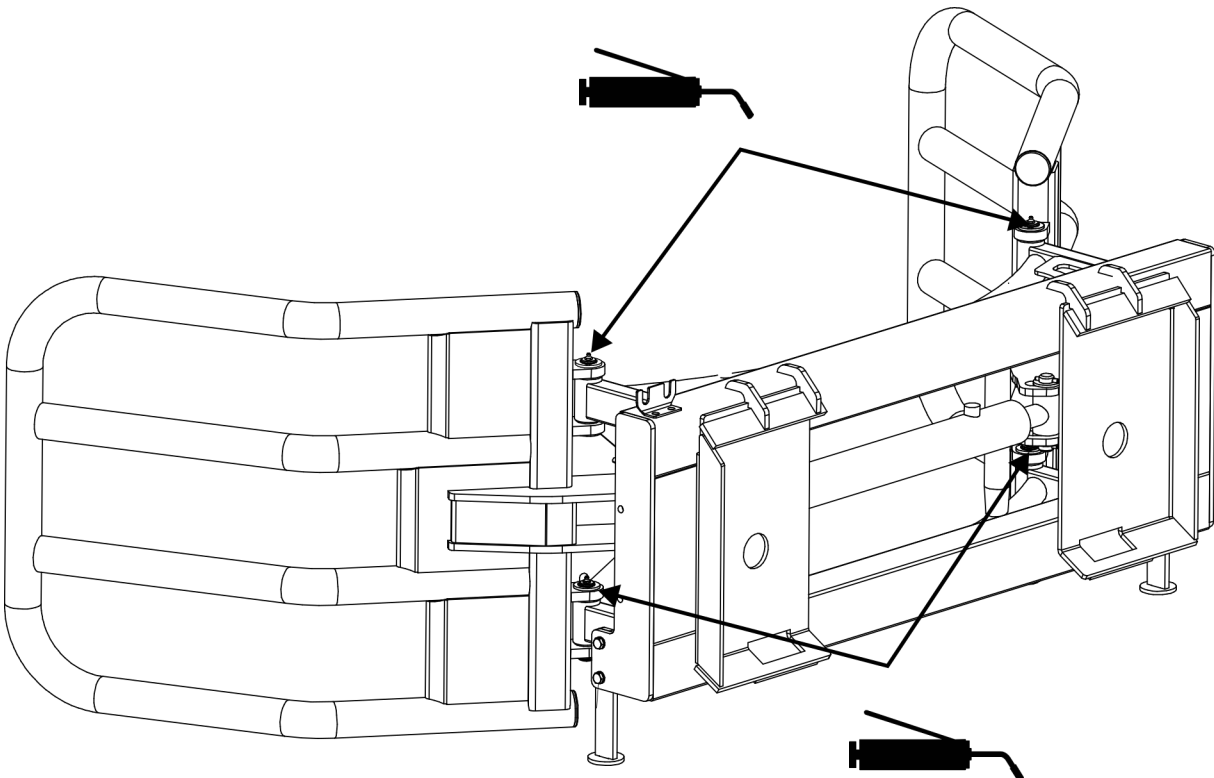
Prior to storing, clean, inspect and service the Bale Grabber. Make any necessary repairs when storing for extended periods of time. This will ensure the machine is in proper working condition for the next season.

- Remove dirt and excess grease accumulated on the machine. Scrape compacted dirt from bottom of bale grabber arms. Wash thoroughly with water hose.
- Inspect pivot pins for wear and tear, replace when necessary.
- Inspect Bale Grabber for damaged, loose or worn parts. Replace with OEM parts to prevent voiding warranty.
- Check for rust, bare metal or chipped paint. Clean rust, prime and repaint.
- Replace damaged or missing decals.
- Store Bale Grabber on a clean, dry, level surface, preferably in a sheltered area.

Lubrication Points

Prior to using the bale grabber, check the arm pins for grease. When grease is required, use a grease gun to add Multi-purpose grease to the pins. Note: Grease all 4 pins (2 per arm).

Check pins approximately every 50 hours, adding Multi-purpose grease as needed. Refer to illustration below.





Troubleshooting Chart

Problem	Cause	Solution
Drop in hydraulic pressure.	One of more hydraulic hoses leaking.	Replace damage hydraulic hoses.
	One or more hydraulic hose connections and or fittings leaking.	Tighten hose and or fitting connections.
	The hydraulic system in the power machine is leaking hydraulic fluid.	Repair power machine hydraulic system.
Bale slips or falls from bale grabber arms.	Drop in hydraulic pressure.	See “Drop in hydraulic pressure.”
	Bale grabber arms captured bale incorrectly.	Lower the bale to the ground, open the arms and recapture the bale. See page 18 for correct “Bale Containment”.
Bale wrap tears.	Bale grabber arms rubbing excessively against the bale	Open the bale grabber arms wider when entering or exiting a bale.
	Raising or lowering bale grabber arms while squeezing or releasing a bale.	Do not change the height of bale grabber arms while squeezing and or releasing a bale.
	Continuing to lower the bale grabber arms while the bale is resting on the ground.	Once the bale contacts the ground, stop lowering the arms and release the bale.
Hydraulic cylinder does not operate or is sluggish.	Hydraulic hoses damaged or pinched	Check hoses for damage, replace as needed.
	Hydraulic fluid bypassing cylinder seals.	Replace cylinder seals.
	Hydraulic relief value on power machine in need of repair.	Repair hydraulic system on power machine.



Torque Specifications

Torque Specifications for Common Bolt Sizes															
Inches		Bolt Head Identification						Metric		Bolt Head Identification					
										5.8		8.8		10.9	
Bolt size (inches)	Thread pitch	Grade 2		Grade 5		Grade 8		Class 5.8		Class 8.8		Class 10.9			
		N.m	ft-lb	N.m	ft-lb	N.m	ft-lb	N.m	ft-lb	N.m	ft-lb	N.m	ft-lb		
1/4"	20	7	5	11	8	16	12	M5	0.08	4	3	6	4	9	7
1/4"	28	8	6	13	10	19	14	M6	1	6	4	10	7	15	11
5/16"	18	15	11	24	17	33	25	M8	1.25	16	12	25	18	36	27
5/16"	24	17	13	26	19	37	27	M8	1	17	13	26	19	38	28
3/8"	16	27	20	42	31	59	44	M10	1.5	31	23	48	35	71	52
3/8"	24	31	23	47	35	67	49	M10	1.25	33	24	51	38	75	55
7/16"	14	43	32	67	49	95	70	M10	1	35	26	53	39	78	58
7/16"	20	48	36	75	55	106	78	M12	1.75	54	40	84	62	123	91
1/2"	13	66	48	102	75	144	106	M12	1.5	56	41	87	64	128	94
1/2"	20	75	55	115	85	163	120	M12	1.25	59	44	90	66	133	98
9/16"	12	95	70	147	109	208	154	M14	2	84	62	133	98	195	144
9/16"	18	106	79	164	121	232	171	M14	1.5	94	69	142	105	209	154
5/8"	11	132	97	203	150	287	212	M16	2	131	97	206	152	302	223
5/8"	18	149	110	230	170	325	240	M16	1.5	141	104	218	161	320	236
3/4"	10	233	172	361	266	509	376	M18	2.5	181	133	295	218	421	310
3/4"	16	261	192	403	297	569	420	M18	2	196	145	311	229	443	327
7/8"	9	226	167	582	430	822	606	M18	1.5	203	150	327	241	465	343
7/8"	14	249	184	642	473	906	668	M20	2.5	256	189	415	306	592	437
1"	8	339	250	873	644	1232	909	M20	1.5	288	212	454	335	646	476
1"	12	371	273	955	704	1348	995	M22	2.5	344	254	567	418	807	595
1-1/8"	7	480	354	1077	794	1746	1288	M22	1.5	381	281	613	452	873	644
1-1/8"	12	539	397	1208	891	1958	1445	M24	3	444	327	714	526	1017	750
1-1/4"	7	677	500	1519	1120	2463	1817	M24	2	488	360	769	567	1095	808
1-1/4"	12	750	553	1682	1241	2728	2012	M27	3	656	484	1050	774	1496	1103
1-3/8"	6	888	655	1992	1469	3230	2382	M27	2	719	530	1119	825	1594	1176
1-3/8"	12	1011	746	2268	1673	3677	2712	M30	3.5	906	668	1420	1047	2033	1499
1-1/2"	6	1179	869	2643	1949	4286	3161	M30	2	1000	738	1600	1180	2250	1659
1-1/2"	12	1326	978	2974	2194	4823	3557	M36	4	1534	1131	2482	1830	3535	2607

Notes:

This chart is an approximate estimate of torque values.

Always tighten hardware to these values unless a different torque value or tightening procedure is listed for a specific application.

Fasteners must always be replaced with the same grade as specified in the manual.

Always use the proper tool for tightening hardware: SAE for SAE hardware and Metric for Metric hardware.



Product Name

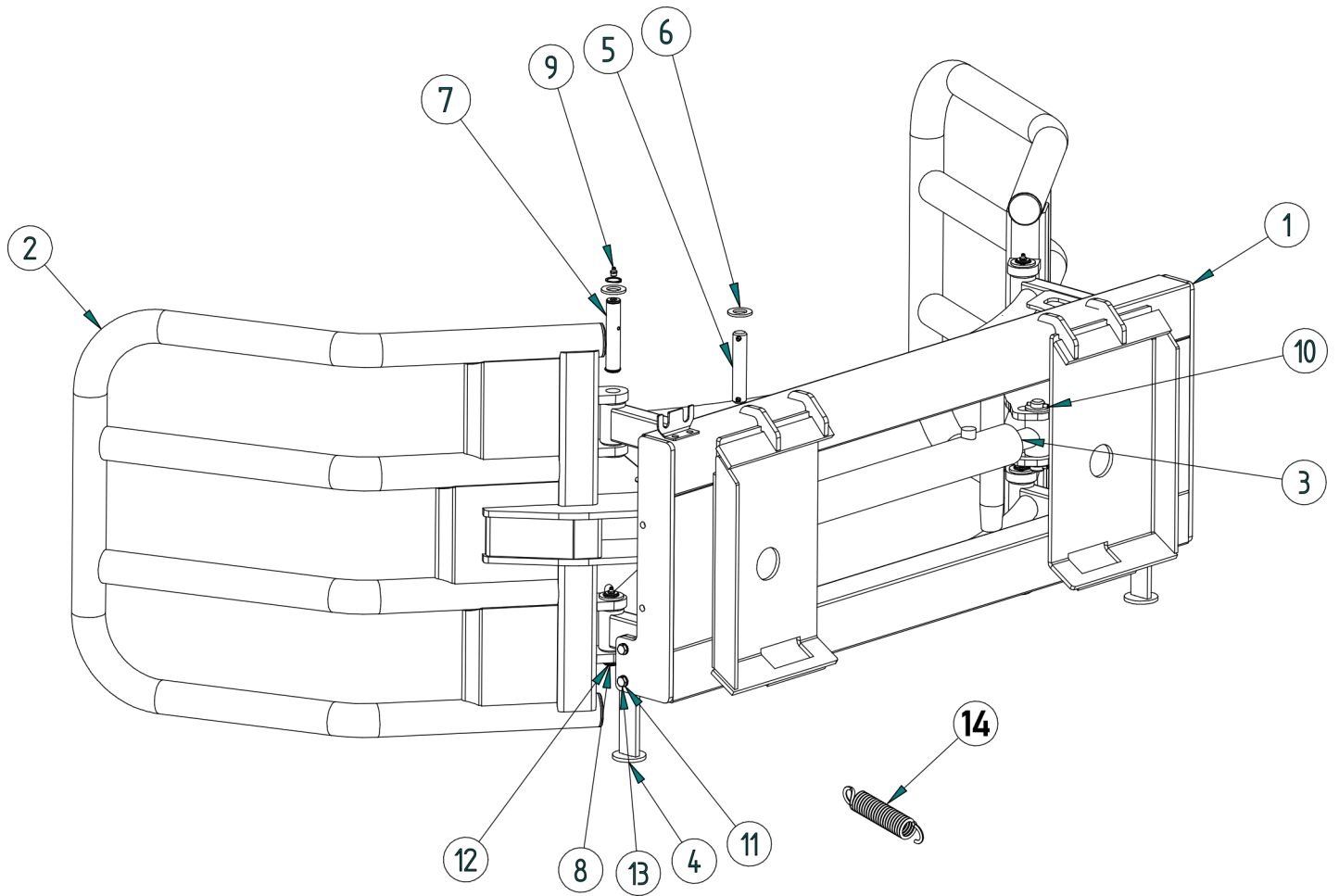
Model # or Series



Parts Manual

Rel. 06/26

RBG-101 Frame Assembly

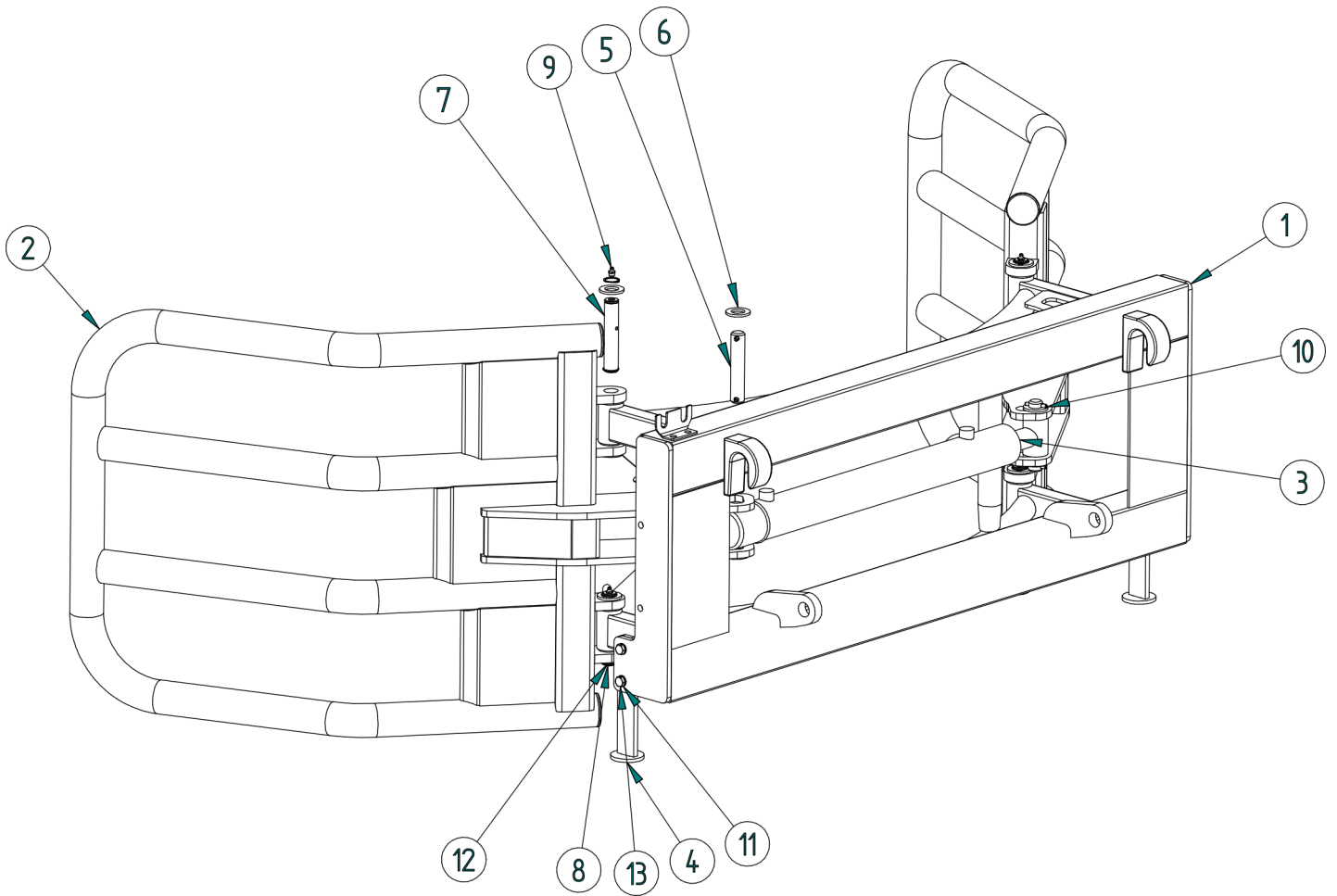




RBG-101 Frame Assembly

Item	Part #	Description	Qty.
1	RBG18270	Frame RBG-101	1
2	RBG18266	Bale grabber arm, RBG-101,102	2
3	RBG18263	Hydraulic cylinder RBG-101,102	1
4	RBG18269	Skid shoe RBG-101,102	2
5	RBG18274	Pin, cylinder RBG-101,102	2
6	FW25	Washer flat M25 Galv	12
7	RBG18275	Pin, bale grabber arm RBG-101,102	4
8	SRE-25	External retaining ring 25 x 1.2	8
9	GN101S	Grease nipple - straight M10 x 1	4
10	RP06x40	Roll pin M6 x 40	4
11	FW10	Washer flat	8
12	LNLM1015	Nut self locking M10-1.5 Gal	4
13	BM101535	Bolt HH M10-1.5x35 Full Thread	4
14	RBG18264	Spring	4

RBG-102 Frame Assembly

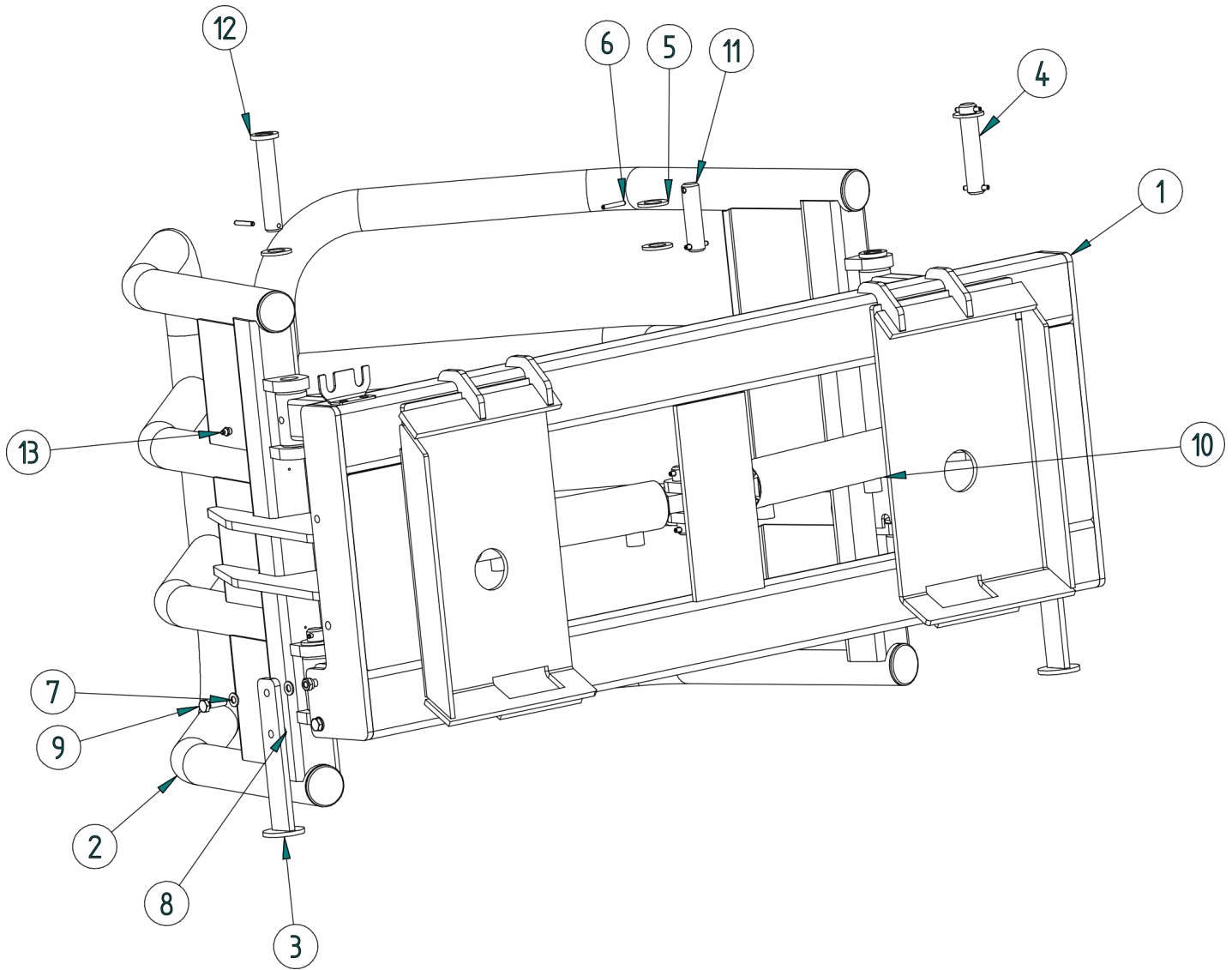




RBG-102 Frame Assembly

Item	Part #	Description	Qty.
1	RBG18271	Frame RBG-102	1
2	RBG18266	Bale grabber arm, RBG-101,102	2
3	RBG18263	Hydraulic cylinder RBG-101,102	1
4	RBG18269	Skid shoe RBG-101,102	2
5	RBG18274	Pin, cylinder RBG-101,102	2
6	FW25	Washer flat M25 Galv	12
7	RBG18275	Pin, bale grabber arm RBG-101,102	4
8	SRE-25	External retaining ring 25 x 1.2	8
9	GN101S	Grease nipple - straight M10 x 1	4
10	RP06x40	Roll pin M6 x 40	4
11	FW10	Washer flat	8
12	LN1015	Nut self locking M10-1.5 Gal	4
13	BM101535	Bolt HH M10-1.5x35 Full Thread	4
14	RBG18264	Spring	4

RBG-201 Frame Assembly

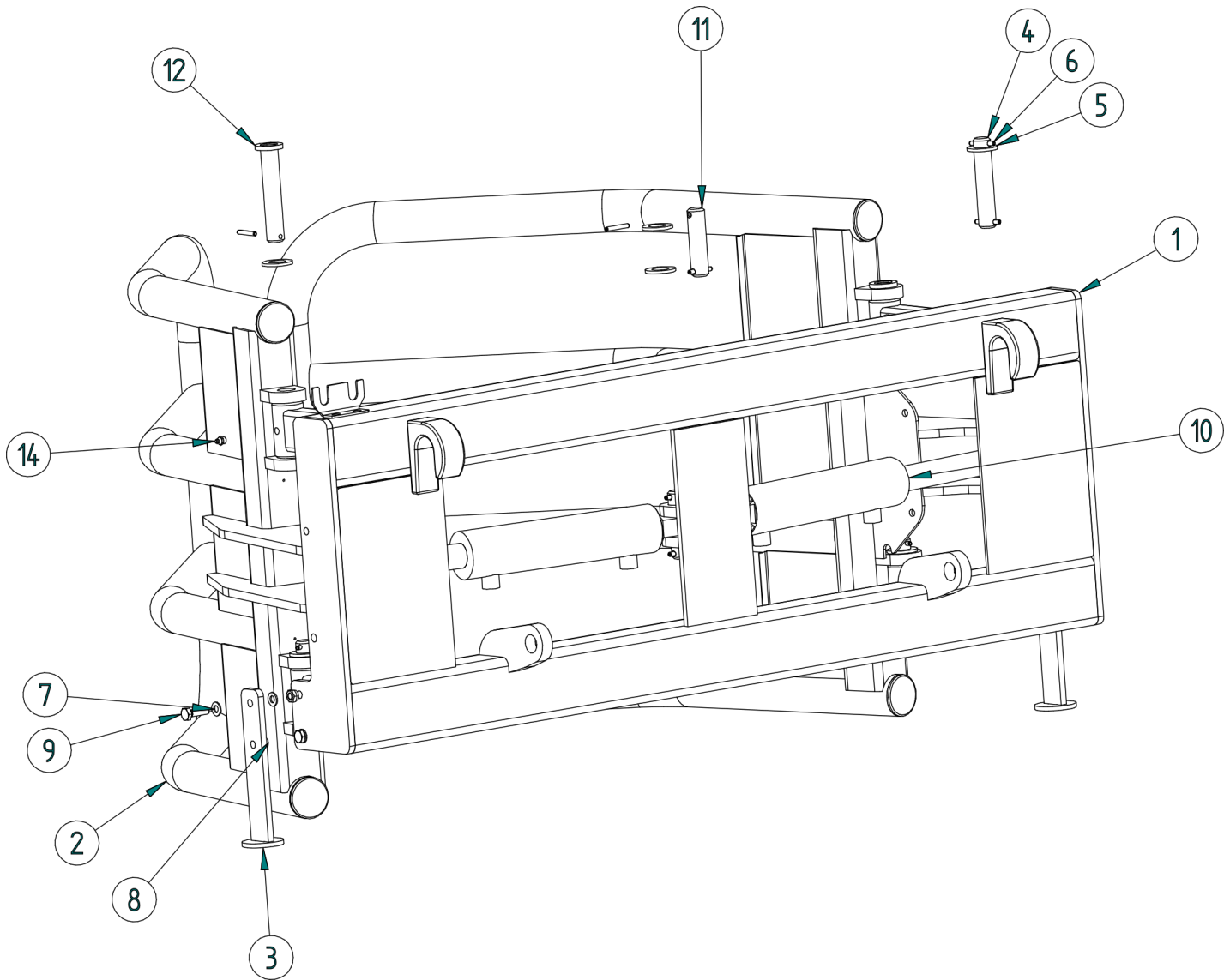




RBG-201 Frame Assembly

Item	Part #	Description	Qty.
1	RBG18272	Frame RBG-201	1
2	RBG18276	Bale grabber arm, RBG-201,202	2
3	RBG18277	Skid shoe, RBG-201,202	2
4	RBG18279	Pin, cylinder rod end RBG-201,202	2
5	FW25	Washer flat M25 Galv	12
6	RP06x40	Roll pin M6 x 40	4
7	FW10	Washer flat	8
8	LN1015	Nut self locking M10-1.5 Gal	4
9	BM101535	Bolt HH M10-1.5x35 Full Thread	4
10	RBG18278	Hydraulic cylinder RBG-201,202	2
11	RBG18280	Pin, cylinder base end RBG-201,202	2
12	RBG18281	Pin, bale grabber arm RBG-201,202	4
13	GN101S	Grease nipple - straight M10 x 1	4

RBG-202 Frame Assembly



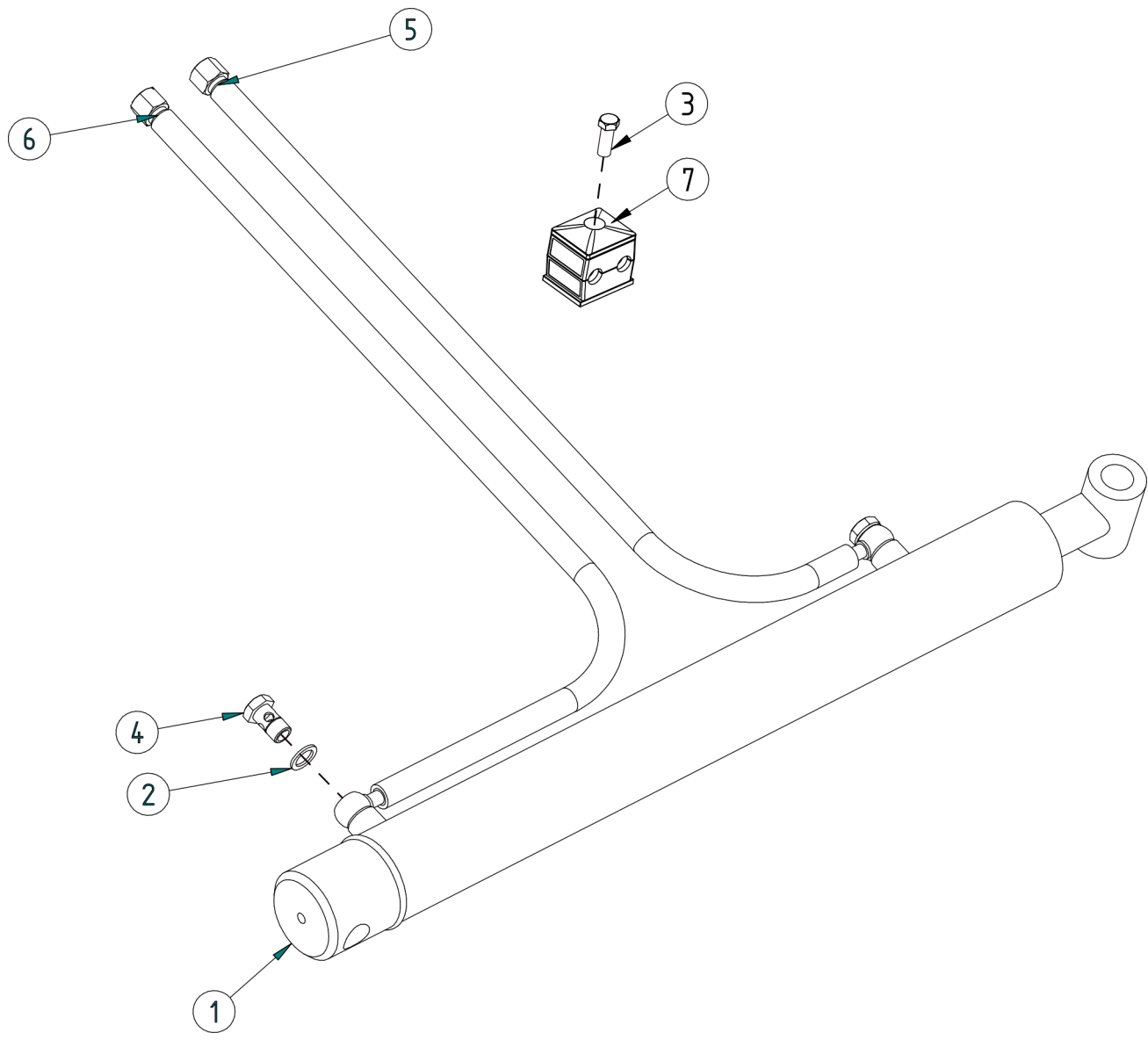


RBG-202 Frame Assembly

Item	Part #	Description	Qty.
1	RBG18273	Frame RBG-202	1
2	RBG18276	Bale grabber arm, RBG-202	1
3	RBG18277	Skid shoe, RBG-201,202	2
4	RBG18279	Pin, cylinder rod end RBG-201,202	2
5	FW25	Washer flat M25 Galv	12
6	RP06x40	Roll pin M6 x 40	4
7	FW10	Washer flat	8
8	LN1015	Nut self locking M10-1.5 Gal	4
9	BM101535	Bolt HH M10-1.5x35 Full Thread	4
10	RBG18278	Hydraulic cylinder RBG-201,202	2
11	RBG18280	Pin, cylinder base end RBG-201,202	2
12	RBG18281	Pin, bale grabber arm RBG-201,202	4
13	GN101S	Grease nipple - straight M10 x 1	4

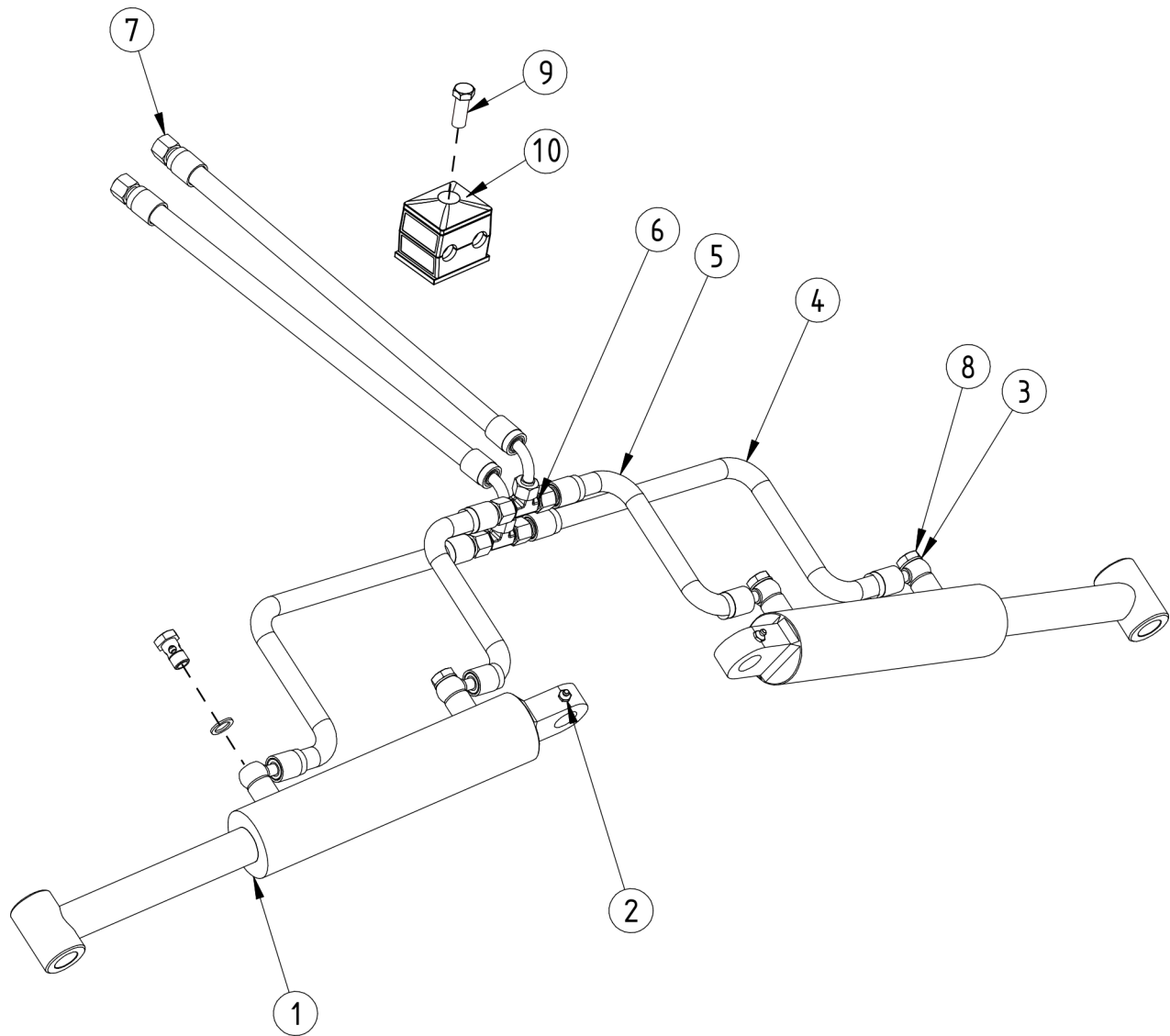


RBG-101,102 Hydraulics



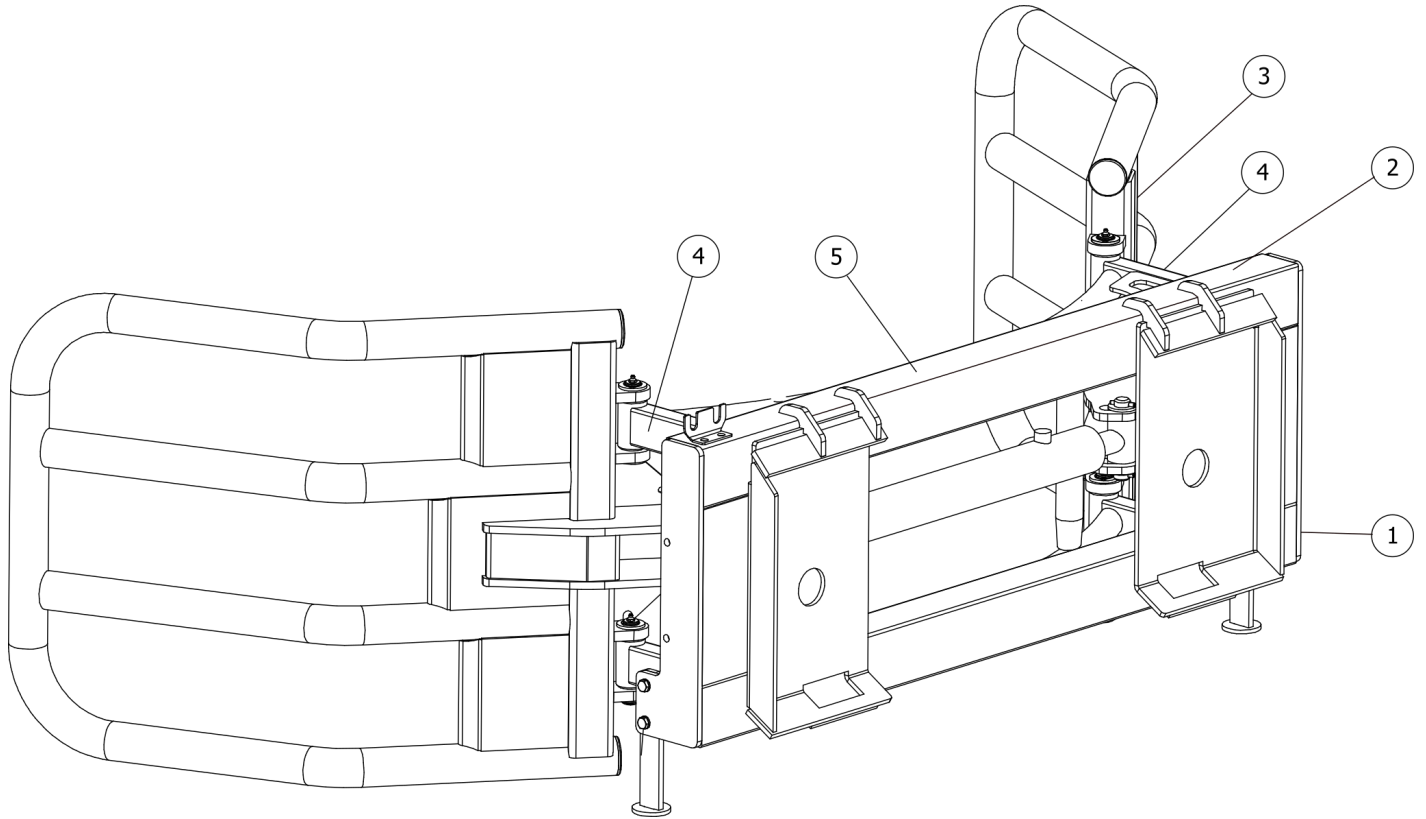
Item	Part #	Description	Qty.
1	RBG18263	Hydraulic cylinder RBG-101,102	1
2	RGB18282	Seal, banjo bolt	2
3	BM0812535	Bolt HH M08-1.25x35	2
4	RBG18283	Banjo bolt	2
5	RBG18284	Hydraulic hose, rod end RBG-101,102	1
6	RBG18285	Hydraulic hose, base end RBG-101,102	1
7	RBG18230	Hydraulic hose support clamp	2

RBG-201,202 Hydraulics



Item	Part #	Description	Qty.
1	RBG18278	Hydraulic cylinder RBG-201,202	2
2	GN101S	Grease nipple - straight M10 x 1	2
3	RGB18282	Seal, banjo bolt	2
4	RBG18286	Hydraulic hose, rod end RBG-201,202	2
5	RBG18287	Hydraulic hose, base end RBG-201,202	2
6	RBG18289	Hydraulic tee	2
7	RBG18288	Hydraulic hose, supply RBG-201,202	2
8	RBG18283	Banjo bolt RBG	4
9	BM0812535	Bolt HH M08-1.25x35	2
10	RBG18230	Hydraulic hose support clamp	2

Decals



Item	Part #	Description	Qty.
1	D1210	Decal TRA Logo 2.5" x 3.5	1
2	NA	Serial Tag "Tar River Attachments"	1
3	NA	Model Number "RBG-101"	1
	NA	Model Number "RBG-102"	1
	NA	Model Number "RBG-201"	1
	NA	Model Number "RBG-202"	1
4	950-407BB	Decal Warning "Crushing and Pinching Harard"	2
5	9270110	Decal Warning "High Pressure"	1



Warranty

LIMITED WARRANTY

Belco Resources Equipment warrants to the original purchaser of any new piece of machinery from Belco Resources Equipment, purchased from an authorized Belco Resources Equipment dealer, that the equipment be free from defects in material and workmanship for a period of one (1) year for non-commercial, state, and municipalities' use, ninety (90) days for commercial use from date of retail sale. Warranty for rental purposes is thirty (30) days. The obligation of Belco Resources Equipment to the purchaser under this warranty is limited to the repair or replacement of defective parts.

Replacement or repair parts installed in the equipment covered by this limited warranty are warranted for ninety (90) days from the date of purchase of such part or to the expiration of the applicable new equipment warranty period, whichever occurs later. Warranted parts shall be provided at no cost to the user at an authorized Belco Resources Equipment dealer during regular working hours. Belco Resources Equipment reserves the right to inspect any equipment or parts, which are claimed to have been defective in material or workmanship.

This limited warranty does not apply to and excludes wear items such as shear pins, tires, tubes knives, blades or other wear items. Oil or grease is not covered by this warranty.

All obligations of Belco Resources Equipment under this limited warranty shall be terminated if:

- Proper service is not performed on the machine.

- The machine is modified or altered in any way.

- The machine is being used or has been used for purposes other than those for which the machine was intended.

DISCLAIMER OF IMPLIED WARRANTIES & CONSEQUENTIAL DAMAGES

Belco Resources Equipment obligation under this limited warranty, to the extent allowed by law, is in lieu of all warranties, implied or expressed, including implied warranties of merchantability and fitness for a particular purpose and any liability for incidental and consequential damages with respect to the sale or use of the items warranted. Such incidental and consequential damages shall include but not be limited to: transportation charges other than normal freight charges; cost of installation other than cost approved by Belco Resources Equipment; duty; taxes; charges for normal service or adjustment; loss of crops or any other loss of income; rental of substitute equipment, expenses due to loss, damage, detention or delay in the delivery.

REGISTRATION

The online Warranty Registration must be completed in order to qualify for coverage on this Limited Warranty. Visit br-equipment.com, click on "Warranty Registration" and completely fill out the form to register the new piece of equipment.



401 Jeffreys Road
Rocky Mount, NC 27804
www.tarrivermfg.com

Tel: 252-822-7140
Fax: 252-787-5855
Sales@tarrivermfg.com