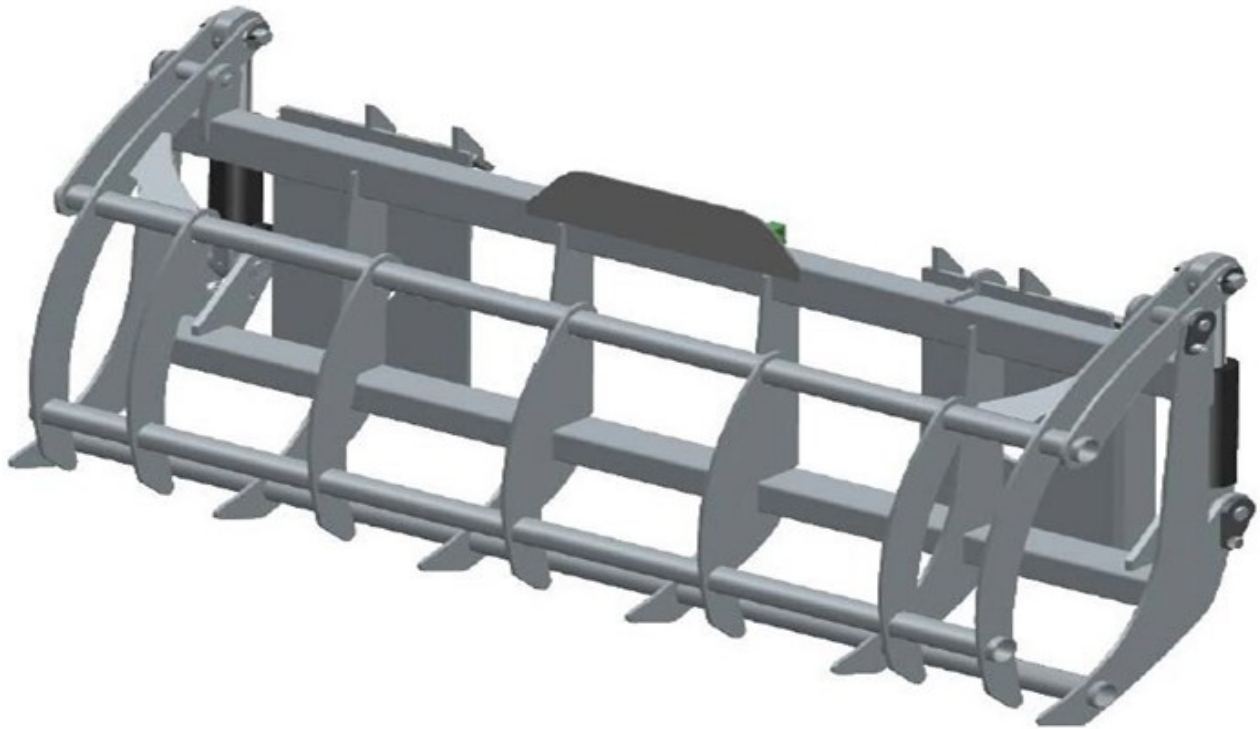




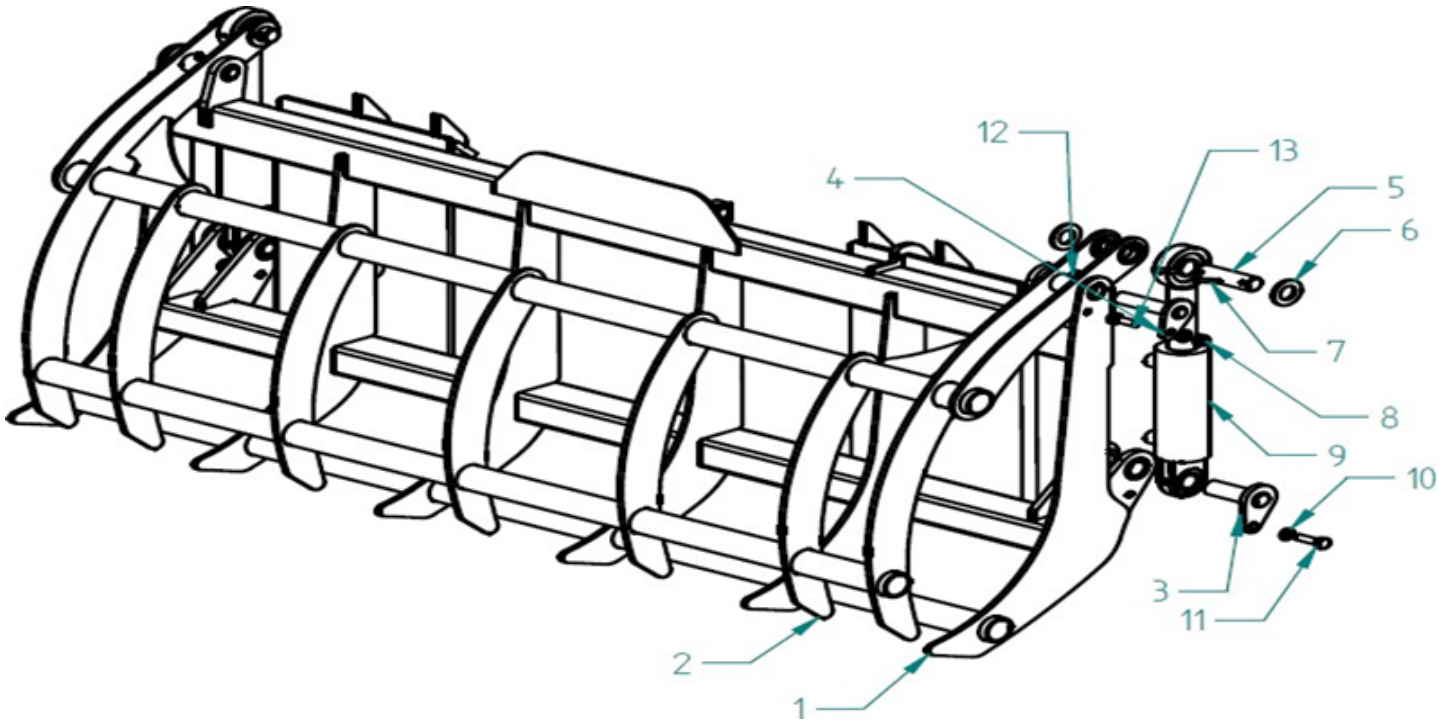
Claw Grapple

CCG55, CCG66



Parts Manual

CCG Frame

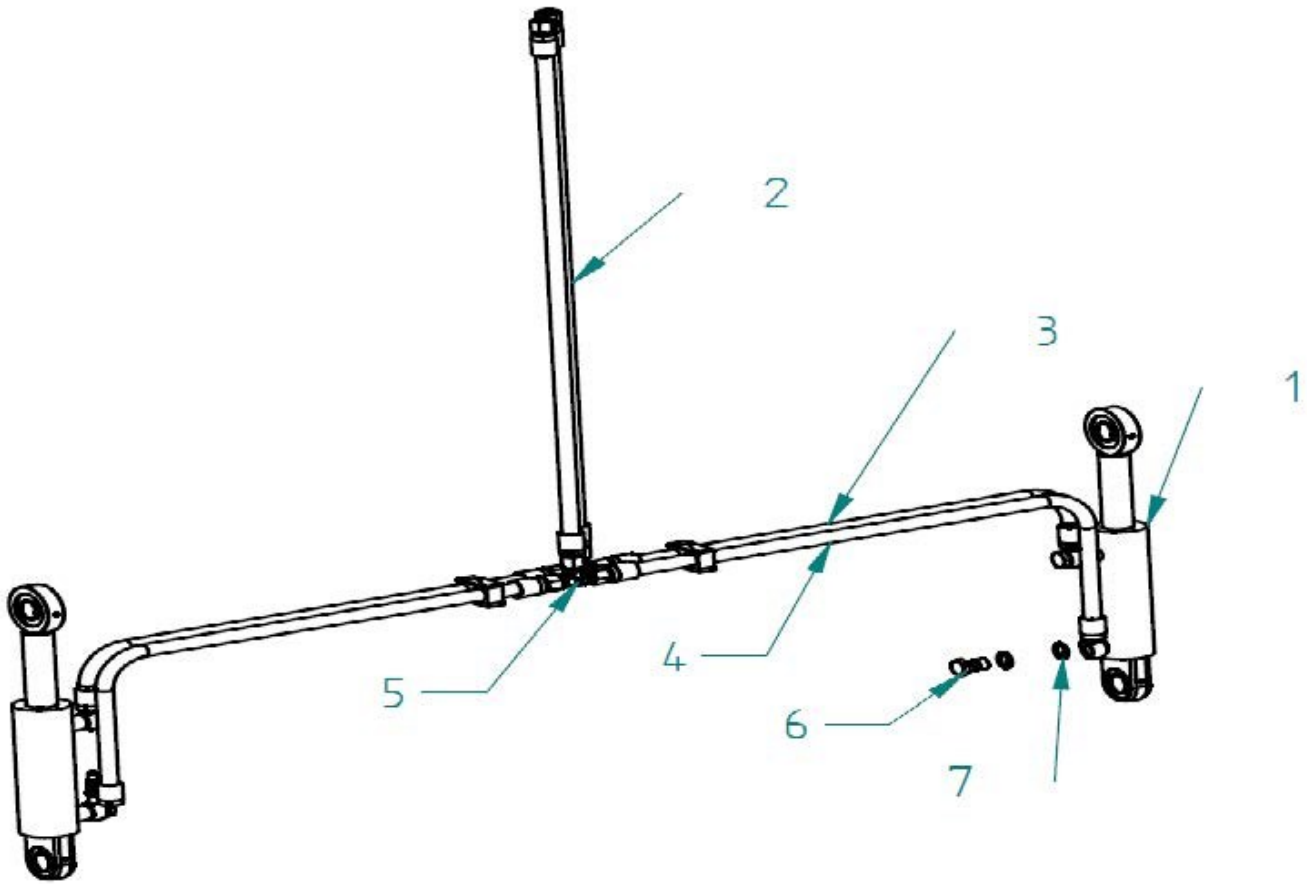




CCG Frame

Item	Belco Part Number	Description	Qty.
1	CCG18027	Frame 55"	1
	CCG18005	Frame 66"	1
2	CCG18002	Claw 55"	1
	CCG18003	Claw 66"	1
3	CCG18006	Pin, lower cylinder D25x80	2
4	CCG18007	Pin, upper frame D20x90	2
5	CCG18008	Pin, upper cylinder D25x80	2
6	CCG18009	Washer D25	4
7	CCG18010	Spring pin D6x50	4
8	CCG18011	Nut M12	4
9	CCG18001	Cylinder, CCG	2
10	CCG18013	Washer D11	6
11	CCG18014	Bolt M10x35	2
12	CCG18015	Grease fitting M8	2
13	CCG18016	Bolt M10x30	2

CCG Hydraulics





CCG Hydraulics

Item	Belco Part Number	Description	Qty.
1	CCG18001	Cylinder, CCG	2
2	CCG18004	Hose I (L=1,2m)	2
3	CCG18019	Hose II (L=0,7)	2
	CCG18020	Hose II (L=0,8)	2
4	CCG18021	Hose III (L=0,85)	2
	CCG18022	Hose III (L=0,95)	2
5	CCG18023	Tee	2
6	CCG18024	Inch eye bolt	2
7	CCG18025	Rubber seal	4



Warranty

LIMITED WARRANTY

Belco Resources Equipment warrants to the original purchaser of any new piece of machinery from Belco Resources Equipment, purchased from an authorized Belco Resources Equipment dealer, that the equipment be free from defects in material and workmanship for a period of one (1) year for non-commercial, state, and municipalities' use, ninety (90) days for commercial use from date of retail sale. Warranty for rental purposes is thirty (30) days. The obligation of Belco Resources Equipment to the purchaser under this warranty is limited to the repair or replacement of defective parts.

Replacement or repair parts installed in the equipment covered by this limited warranty are warranted for ninety (90) days from the date of purchase of such part or to the expiration of the applicable new equipment warranty period, whichever occurs later. Warranted parts shall be provided at no cost to the user at an authorized Belco Resources Equipment dealer during regular working hours. Belco Resources Equipment reserves the right to inspect any equipment or parts, which are claimed to have been defective in material or workmanship.

This limited warranty does not apply to and excludes wear items such as shear pins, tires, tubes knives, blades or other wear items. Oil or grease is not covered by this warranty.

All obligations of Belco Resources Equipment under this limited warranty shall be terminated if:

- Proper service is not performed on the machine.

- The machine is modified or altered in any way.

- The machine is being used or has been used for purposes other than those for which the machine was intended.

DISCLAIMER OF IMPLIED WARRANTIES & CONSEQUENTIAL DAMAGES

Belco Resources Equipment obligation under this limited warranty, to the extent allowed by law, is in lieu of all warranties, implied or expressed, including implied warranties of merchantability and fitness for a particular purpose and any liability for incidental and consequential damages with respect to the sale or use of the items warranted. Such incidental and consequential damages shall include but not be limited to: transportation charges other than normal freight charges; cost of installation other than cost approved by Belco Resources Equipment; duty; taxes; charges for normal service or adjustment; loss of crops or any other loss of income; rental of substitute equipment, expenses due to loss, damage, detention or delay in the delivery.

REGISTRATION

The online Warranty Registration must be completed in order to qualify for coverage on this Limited Warranty. Visit br-equipment.com, click on "Warranty Registration" and completely fill out the form to register the new piece of equipment.



Page left blank intentionally



401 Jeffreys Road
Rocky Mount, NC 27804
www.tarrivermfg.com

Tel: 252-822-7140
Fax: 252-787-5855
Sales@tarrivermfg.com