



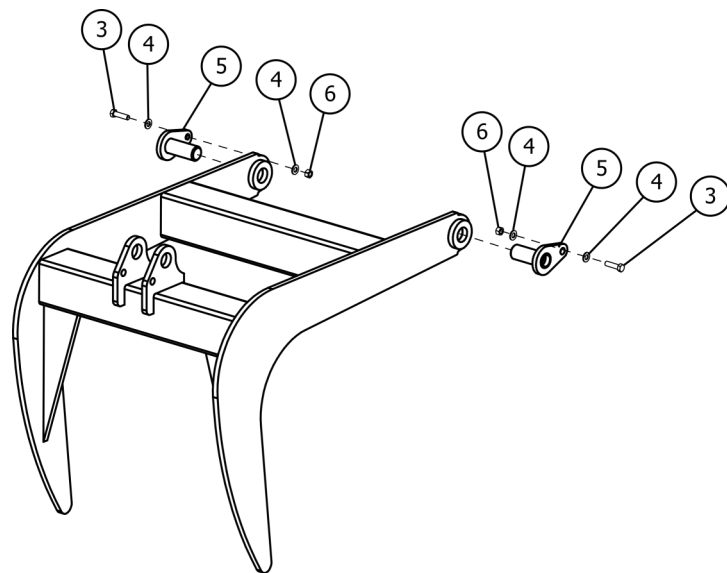
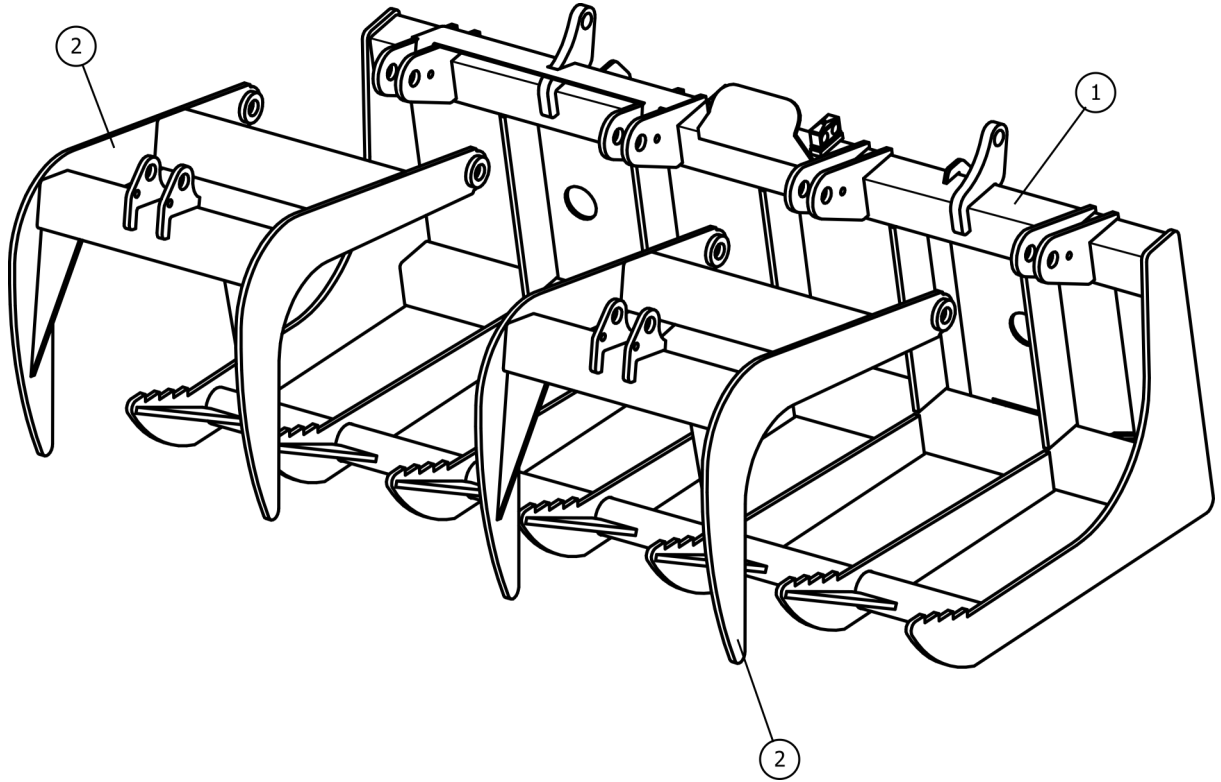
Grapples

CRG60, CRG66, CRG72

Parts Manual

NOTE: These PN's are for the Talex Model Only!

Main Assembly CRG

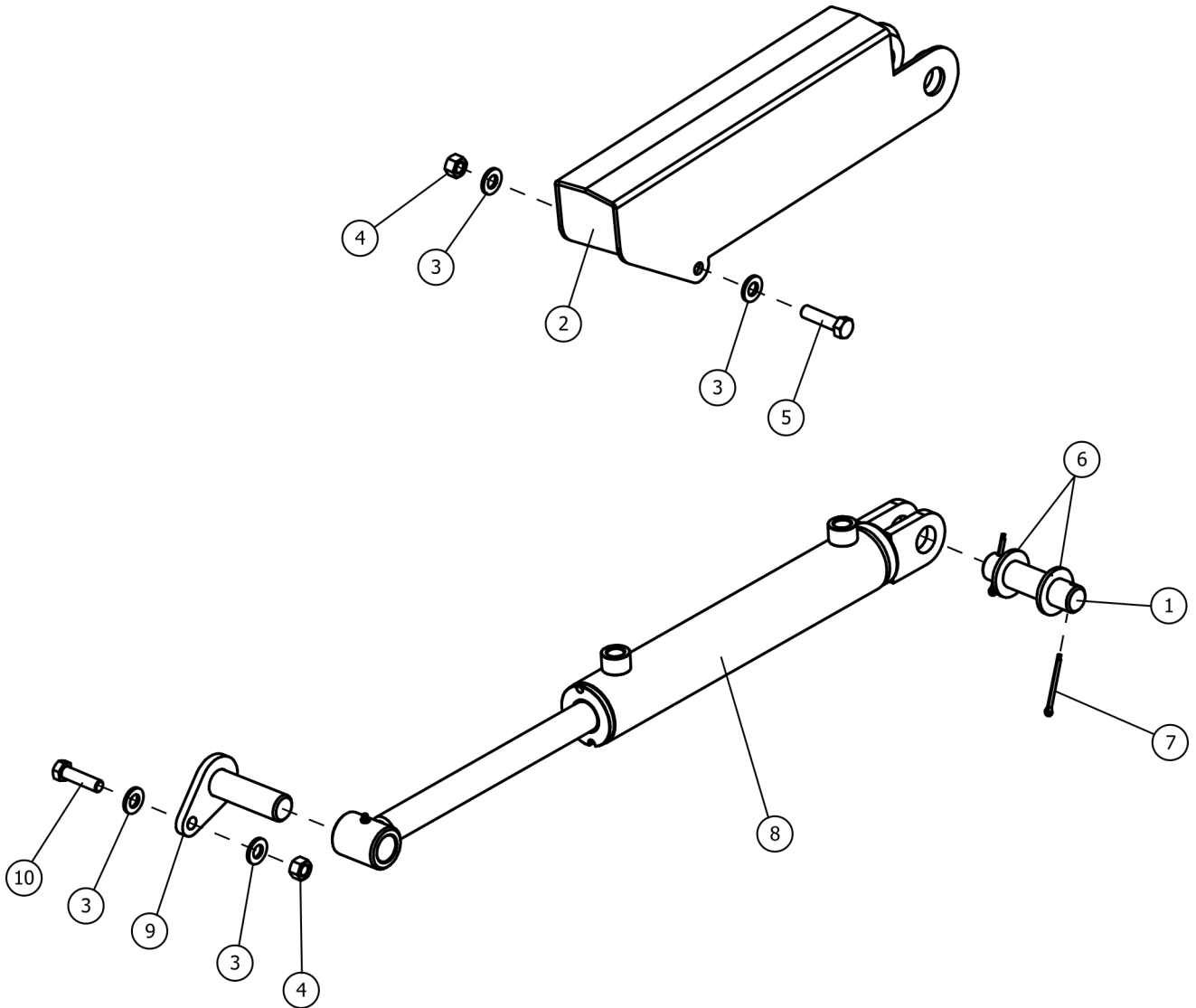




Main Assembly CRG

Item	Part #	Description	Qty.
1	CRG20027	Frame CRG60	1
	CRG20028	Frame CRG66	1
	CRG20029	Frame CRG72	1
2	CRG20008	Upper jaw CRG60	2
	CRG20030	Upper jaw CRG66	2
	CRG20031	Upper jaw CRG72	2
3	FW10	Washer flat M10	4
4	NM1015	Nut HH M10-1.5	4
5	BM101535	Bolt HH M10-1.5x35	4

Hydraulic Cylinder CRG

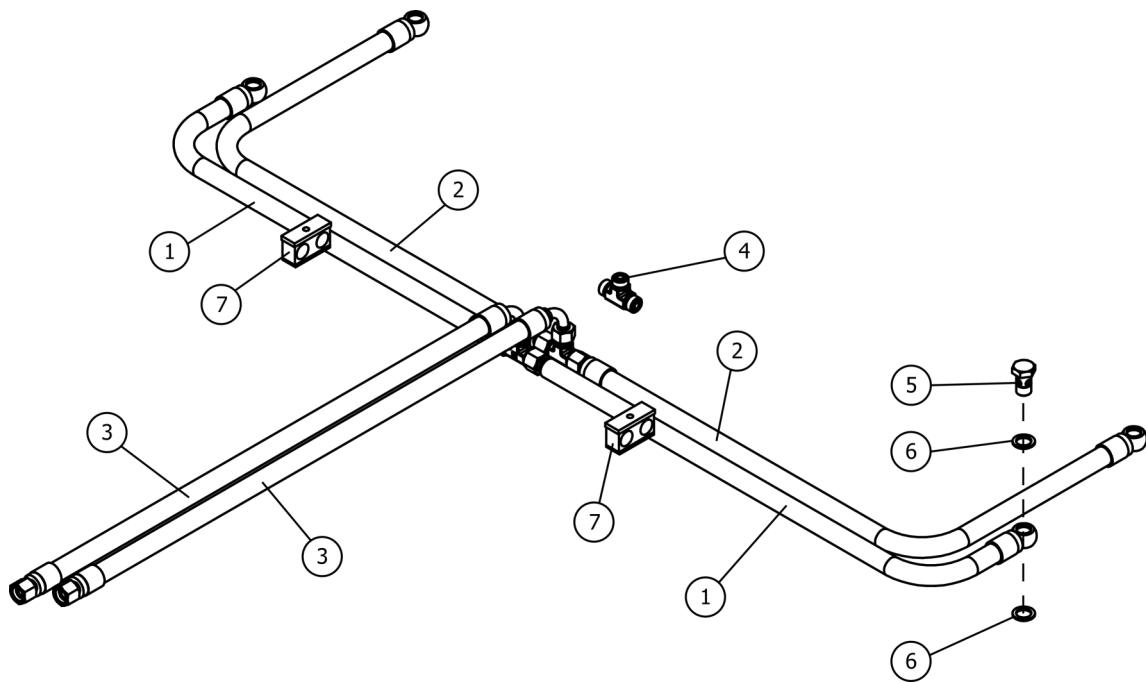




Hydraulic Cylinder CRG

Item	Part #	Description	Qty.
1	CRG20018	Cylinder pin, base end CRG	2
2	CRG20019	Cylinder shield CRG	2
3	FW10	Washer flat M10	8
4	NM1015	Nut self-locking M10-1.5	4
5	BM101590	Bolt HH M10-1.5x90	2
6	CRG20020	Washer, cylinder pin CRG	4
7	CP4x45	Cotter pin M4 x 45	4
8	CRG20010	Cylinder CRG75	2
9	CRG20020	Cylinder pin, rod end CRG	2
10	BM101535	Bolt HH M10-1.5x35	2

Hydraulics CRG





Hydraulics CRG

Item	Part #	Description	Qty.
1	CRG20023	Cylinder hose - short CRG60	2
	CRG20025	Cylinder hose - short CRG66	2
	CRG20012	Cylinder hose - short CRG72	2
2	CRG20024	Cylinder hose - long CRG60	2
	CRG20026	Cylinder hose - long CRG66	2
	CRG20013	Cylinder hose - long CRG72	2
3	CRG20011	Supply hose CRG72	2
4	CRG20014	“T” fitting	2
5	CRG20015	Banjo bolt	4
6	CRG20016	Compression washer	8
7	CRG20017	Double hydraulic hose clamp	2



Warranty

LIMITED WARRANTY

Belco Resources Equipment warrants to the original purchaser of any new piece of machinery from Belco Resources Equipment, purchased from an authorized Belco Resources Equipment dealer, that the equipment be free from defects in material and workmanship for a period of one (1) year for non-commercial, state, and municipalities' use, ninety (90) days for commercial use from date of retail sale. Warranty for rental purposes is thirty (30) days. The obligation of Belco Resources Equipment to the purchaser under this warranty is limited to the repair or replacement of defective parts.

Replacement or repair parts installed in the equipment covered by this limited warranty are warranted for ninety (90) days from the date of purchase of such part or to the expiration of the applicable new equipment warranty period, whichever occurs later. Warranted parts shall be provided at no cost to the user at an authorized Belco Resources Equipment dealer during regular working hours. Belco Resources Equipment reserves the right to inspect any equipment or parts, which are claimed to have been defective in material or workmanship.

This limited warranty does not apply to and excludes wear items such as shear pins, tires, tubes knives, blades or other wear items. Oil or grease is not covered by this warranty.

All obligations of Belco Resources Equipment under this limited warranty shall be terminated if:

- Proper service is not performed on the machine.

- The machine is modified or altered in any way.

- The machine is being used or has been used for purposes other than those for which the machine was intended.

DISCLAIMER OF IMPLIED WARRANTIES & CONSEQUENTIAL DAMAGES

Belco Resources Equipment obligation under this limited warranty, to the extent allowed by law, is in lieu of all warranties, implied or expressed, including implied warranties of merchantability and fitness for a particular purpose and any liability for incidental and consequential damages with respect to the sale or use of the items warranted. Such incidental and consequential damages shall include but not be limited to: transportation charges other than normal freight charges; cost of installation other than cost approved by Belco Resources Equipment; duty; taxes; charges for normal service or adjustment; loss of crops or any other loss of income; rental of substitute equipment, expenses due to loss, damage, detention or delay in the delivery.

REGISTRATION

The online Warranty Registration must be completed in order to qualify for coverage on this Limited Warranty. Visit br-equipment.com, click on "Warranty Registration" and completely fill out the form to register the new piece of equipment.



Page left blank intentionally



401 Jeffreys Road
Rocky Mount, NC 27804
www.tarrivermfg.com

Tel: 252-822-7140
Fax: 252-787-5855
Sales@tarrivermfg.com