



Spin Fertilizer Spreader

SSC-SSS-SP



Operator's Manual

Page left blank intentionally

TO THE DEALER:

Assembly and proper installation of this product is the responsibility of the Tar River dealer. Read manual instructions and safety rules. Make sure all items on the Dealer's Pre-Delivery and Delivery Check Lists in the Owner's/Operator's Manual are completed before releasing equipment to the owner.

TO THE OWNER:

Read this manual before operating your Tar River equipment. The information presented will prepare you to do a better and safer job. Keep this manual handy for ready reference. Require all operators to read this manual carefully and become acquainted with all the adjustment and operating procedures before attempting to operate. Replacement manuals can be obtained from your selling dealer. The equipment you have purchased has been carefully engineered and manufactured to provide dependable and satisfactory use. Like all mechanical products, it will require cleaning and upkeep. Lubricate the unit as specified. Observe all safety information in this manual and safety decals on the equipment. For service, your authorized Tar River dealer has trained mechanics, genuine Tar River service parts, and the necessary tools and equipment to handle all your needs. Use only genuine Tar River service parts. Substitute parts will void the warranty and may not meet standards required for safe and satisfactory operation.

Record your implement model and serial number in the space provide below. Your dealer will need this information to give you prompt, efficient service.

Model Number: _____

Serial Number: _____

Date Purchased: _____

Table of Contents

Introduction	5
Technical Specifications	5
Safety	6
Safety Signal Words	6
General Safety Guidelines	7
Safety Decal Care	7-9
Before Operation	10
During Operation	11
Highway And Transport Operations	12-13
Swath Spreading Chart.....	14
Operating Instructions.....	15-20
Maintenance.....	21-22
Torque Chart.....	23
Parts Breakdown.....	26-31
Warranty	32

Introduction

Thank you for purchasing your Tar River Fertilizer Spreader. The SSC series is built especially for Sub-Compact tractors that cannot attach to regular-sized spreaders. The SSS series features a sturdy metal hopper painted with special heat-treated paint to resist corrosion. The SSP series features a Poly Hopper with galvanized spreading fins and disc openers. The SP series features a Poly Hopper with stainless steel spreading fins and disc openers.

Technical Specifications

- Powder coated frame and hopper or Poly hopper
- Stainless steel bottom openers and spreading fins on SS models

	SSC-100	SSS-300	SSS-500	SP-300SS	SP-500SS
Weight	83 lbs.	115 lbs.	133 lbs.	127 lbs.	135 lbs.
Capacity	224 lbs.	716 lbs.	1,058 lbs.	716 lbs.	1,121 lbs.
Spread swath	23'	46'	46'	46'	46'
Hopper	Poly	Steel	Steel	Poly	Poly
Hopper height	31"	40"	46"	42"	46"
Hitch	Cat. 0 & 1	Cat. 1	Cat. 1	Cat. 1	Cat. 1

Important Safety Information

Safety

It is important that you read the entire manual and to become familiar with this product before you begin using it. This product is designed for certain applications only. The manufacturer cannot be responsible for issues arising from modification. We strongly recommend this product not be modified and /or used for any application other than that for which it is designed. If you have any questions relative to a particular application, DO NOT use the product until you have first contacted us to determine if it can or should be performed on the product.

Read and understand this manual and all safety signs before operating and maintaining . Review the safety instructions and precautions annually.

Safety Signal Words

TAKE NOTE! This safety alert symbol found though out this manual is used to call you attention to instructions involving you personal safety and the safety of others. Failure to follow these instructions can result in injury or death.



**This symbol means:
Attention!
Become alert!
Your safety is involved!**

Note the use of the signal words, DANGER, WARNING and CAUTION with the safety messages. The appropriate signal word for each has been selected using the following guidelines:

	DANGER: Indicates an imminently hazardous situation that, if not avoided, will result in death or serious injury. This signal word is to be limited to the most extreme situations typically for machine components which, for functional purposes, cannot be guarded.
	WARNING: Indicates a potentially hazardous situation that, if not avoided, could result in death or serious injury, and includes hazards that are exposed when guards are removed. It may also be used to alert against unsafe practices.
	CAUTION: Indicates a potentially hazardous situation that, if not avoided, may result in minor or moderate injury. It may also be used to alert against unsafe practices.

Important Safety Information

General Safety Guidelines

Safety of the operator is one of the main concerns in designing and developing a new piece of equipment. Designers and manufacturers build in as many safety features as possible. However, every year many accidents occur which could have been avoided by a few seconds of thought and a more careful approach to handling equipment. You, the operator, can avoid many accidents by observing the following precautions in this section. To avoid personal injury, study the following precautions and insist those working with you, or for you, follow them.

Replace any DANGER, WARNING, CAUTION or instruction safety decal that is not readable or is missing. Location of such decals are indicated in this manual. Do not attempt to operate this equipment under the influence of drugs or alcohol.

Review the safety instructions with all users annually.

This equipment is dangerous to children and persons unfamiliar with its operation. The operator should be a responsible adult familiar with farm machinery and trained in this equipment's operations. **Do not allow persons to operate or assemble this unit until they have read this manual and have developed a thorough understanding of the safety precautions and of how it works.**

To prevent injury of death, use a tractor equipped with a Roll Over Protection System (ROPS). Do not paint over, remove or deface any signs or warning decals on your equipment. Observe all safety signs and practice the instructions on them.

Never exceed the limits of a piece of machinery. If its ability to do a job, or to do so safely, is in question - **Don't try it!**



Safety Decal Care

- Keep safety signs clean and legible at all times.
- Replace safety signs that are missing or have become illegible.
- Replaced parts that displayed a safety sign should also display the current safety sign
- Safety signs are available from your Distributor or Dealer Parts Department or the factory.

Important Safety Information

How to install Safety Signs:

- Be sure that the installation area is clean and dry.
- Decide on the exact position before you remove the backing paper.
- Remove the smallest portion of the split backing paper.
- Align the decal over the specified area and carefully press the small portion with the exposed sticky backing in place.
- Slowly peel back the remaining paper and carefully smooth the remaining portion of the decal in place.
- Small air pockets can be pierced with a pin and smoothed out using the piece of decal backing paper.

Important Safety Information

Safety Decals

If “Safety” Decals are damaged or unreadable, replace immediately.



Important Safety Information



Before Operation

- Carefully study and understand this manual.
- Do not wear loose-fitting clothing, which may catch in moving parts.
- Always wear protective clothing and substantial shoes.
- Assure that all tires are inflated evenly.
- Give the unit a visual inspection for any loose bolts, worn parts or cracked welds, and make necessary repairs. Follow the maintenance safety instructions included with this manual.
- Be sure that there are no tools lying on or in the equipment.
- Do not use the unit until you are sure that the area is clear, especially of children and animals.
- Don't hurry the learning process or take the unit for granted. Ease into it and become familiar with your new equipment.
- Practice operation of your equipment and its attachments. Completely familiarize yourself and other operators with its operation before using.
- Use a tractor equipped with a Roll Over Protection System (ROPS) and fasten your seat belt prior to starting engine.
- The manufacturer does not recommend usage of tractor with ROPS removed.
- Move tractor wheels to the widest recommended settings to increase stability.
- Securely attach to towing unit. Use a high strength, appropriately sized hitch pin with a mechanical retainer and attach safety chain.
- Do not allow anyone to stand between the tongue or hitch and the towing vehicle when backing up to the equipment.

Important Safety Information



During Operation

- Children should not be allowed on the product.
- Clear the area of small children and bystanders before moving the feeder.
- If using a towing unit, securely attach feeder by using a hardened 3/4" pin, a metal retainer, and safety chains if required. Shift towing unit to a lower gear before going down steep downgrades, thus using the engine as a retarding force. Keep towing vehicle in gear at all times. Slow down for corners and rough terrain.
- Make sure you are in compliance with all local and state regulations regarding transporting equipment on public roads and highways. Lights and slow moving signs must be clean and visible by overtaking or oncoming traffic when feeder is transported.
- Beware of bystanders, **particularly children!** Always look around to make sure that it is safe to start the engine of the towing vehicle or move the unit. This is particularly important with higher noise levels and quiet cabs, as you may not hear people shouting.
- **NO PASSENGERS ALLOWED!** Do not carry passengers anywhere on, or in, the tractor or equipment, except as required for operation.
- Keep hands and clothing clear of moving parts.
- Do not clean, lubricate or adjust your equipment while it is moving.
- When halting operation, even periodically, set the tractor or towing vehicle brakes, disengage the PTO, shut off the engine and **remove the ignition key.**
- Be especially observant of the operating area and terrain. Watch for holes, rocks or hidden hazards. Always inspect the area prior to operation.
- **DO NOT** operate near the edge of drop-offs or banks.
- **DO NOT** operate on steep slopes as overturns may result.
- Operate up and down (not across) intermediate slopes. Avoid sudden starts and stops.

Important Safety Information



Highway and Transport Operations

- Adopt safe driving practices.
- Keep the brake pedals latched together at all times. **Never use independent braking with machine in tow as loss of control and/or upset of unit can result.**
- Always drive at a safe speed relative to local conditions and ensure that your speed is low enough for an emergency stop to be safe and secure. Keep speed at a minimum.
- Reduce speed prior to turns to avoid the risk of overturning.
- Avoid sudden uphill turns on steep slopes.
- Always keep the tractor or towing vehicle in gear to provide engine braking when going downhill. Do not coast.
- Do not drink and drive!
- Comply with state and local laws governing highway safety and movement of farm machinery on public roads.
- Use approved accessory lighting flags and necessary warning devices to protect operators of other vehicles on the highway during daylight and nighttime transport. Various safety lights and devices are available from your dealer.
- The use of flashing amber lights is acceptable in most localities. However, some localities prohibit their use. Local laws should be checked for all highway and marking requirements.
- When driving the tractor and equipment on the road or highway under 40 kph (20 mph) at night or during the day, use the amber warning lights and a slow moving vehicle (SMV) identification emblem.
- Plan your route to avoid heavy traffic.
- Be a safe and courteous driver. Always yield to oncoming traffic in all situations, including narrow bridges, intersections, etc.
- Be observant of bridge loading ratings. Do not cross bridges rated at lower than the gross weight at which you are operating.
- Watch for obstructions overhead and to the side while transporting.
- Always operate in a position to provide maximum visibility at all times. Make allowances for increased length and weight of the equipment when making turns, stopping the unit, etc.
- Pick the most level route when transporting across fields. Avoid the edges of ditches or gullies and steep hillsides.
- Be extra careful when working in inclines.

Important Safety Information



Highway and Transport Operations

- Maneuver the tractor or towing vehicle at safe speeds.
- Avoid overhead wires or other obstacles. Contact with overhead lines could cause serious injury or death.
- Avoid loose fill, rocks and holes, they can be dangerous for equipment operation or movement.
- Allow for unit length when making turns,
- Operate the towing vehicle from the operator's seat only.
- Never stand alongside of unit with engine running or attempt to start engine and/or operate machine while standing alongside of unit.
- Never leave running equipment and attachments unattended.
- As a precaution, always recheck the hardware on equipment following every 100 hours of operation. Correct all problems. Follow the maintenance safety procedures.

Swath Spreading Chart

Model SSS-100 & SSC-100 Swath Spreading Patterns (lbs./acre)

Spreading width 20 feet			
Lever Position	2.5 mph	3.75 mph	5 mph
1	89	45	39
2	143	89	71
3	223	152	107
4	312	196	152
5	419	277	205
6	553	330	277
7	651	410	321
8	767	473	384
9	874	562	437
10	999	625	500

Model SSS & SP Swath Spreading Patterns (lbs./acre)

Spreading width 46 feet			
Lever Position	2.5 mph	5 mph	7 mph
1	89	39	16
2	413	61	43
3	223	123	82
4	312	184	123
5	419	246	166
6	553	307	201
7	651	369	246
8	767	430	282
9	874	492	323

Operating Instructions

Operation

It is important that each operator of the Tar River Fertilizer Spreader read and understand the operational procedures and all related safety precautions outlined in this section. The following checklist is provided for the operator. It is important for both the personal safety and maintaining good mechanical condition that this checklist is followed.

Prior to operating the Fertilizer Spreader:

1. Make sure that the spreader is properly lubricated.
2. Check for damaged or missing parts.
3. Check that all hardware is tightened according to specifications (See Torque Chart page 23).
4. Remove any foreign objects from hopper.
5. Never allow anyone inside the hopper. Serious injury or death could occur.
6. Do not place hands or feet inside hopper with tractor running. Moving parts inside the hopper can cause serious injury or death.
7. Make sure all guards are in place before operating spreader.
8. Clear the area of obstacles that can damage the spreader or cause uneven distribution of material.
9. Clear the area of bystanders, especially small children and animals.



Caution: Never load hopper with material without first securing the spreader to the tractor. Adding material to the hopper without first attaching it to the tractor can cause the spreader to flip over causing serious injury or death.



Warning: Take necessary precautions when handling any chemical. Chemicals can cause eye/skin irritation and or respiratory complications. Always wear PPE (Personal Protection Equipment) gloves, eye protection, face mask, respirator when filling the hopper. Refer to the chemical manufacturer's label for all safety recommendations.



Warning: If a tractor with a cab is used it must be equipped with proper filtration system or operator must wear a respirator cable of filtering toxic particles to prevent inhalation. Chemical particals can be harmful and possibly deadly.

Operating Instructions

Attaching to the tractor

1. Back the tractor to the spreader carefully. Turn off the tractor and set the park brake. Be sure there is nothing between the tractor and the spreader including people or animals. There is a possibility of serious injury or death.
2. Slide the tractor lower arms over the welded pins on the spreader. Secure with lynch pins. Next, connect the top link to the spreader and secure with the top hitch pin.
3. The spreader disc must be horizontal to spread material uniformly. Adjust the tilt by twisting the Top Link Arm in or out.
4. Adjust the height of the spreader to approximately 28"-30" from the bottom of the spreader disc to ground level, (See Fig. 1).
5. Install the PTO on the spreader and then the tractor. Be sure to secure both ends with proper pins or bolts. Serious injury or death can occur from improperly secured PTO shaft. It may be necessary to shorten the PTO. See instructions on "**Shortening a PTO Driveline**".

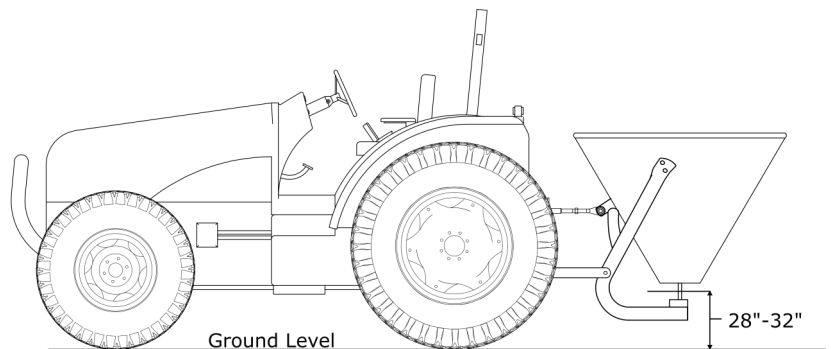


Fig. 1

Operating Instructions

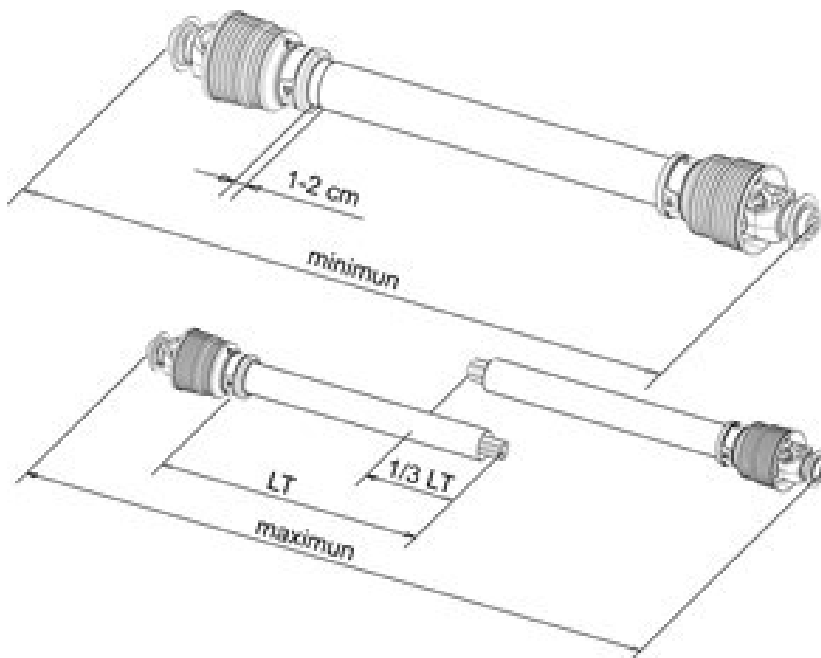
Attaching the PTO shaft:

Before installing the PTO shaft make sure that the RPM rating and the direction of rotation match those of the tractor. Carefully read the PTO shaft and tractor instructions. Before operation, make sure that the guards are installed on the power take off of the tractor and PTO shaft. Make sure that they cover the PTO shaft throughout its length. Note: The PTO shaft may be too long and require shortening. See “**Shortening a PTO driveline**” below.

Press the locking pin on the PTO yoke and slide yoke on to the PTO of the tractor until the pin seats. Pull on PTO shaft to make certain it is locked in place. Repeat the procedure for the machine end. Attach the PTO cover’s safety chains to a stationary part of the tractor. Leave some slack in the chain to accommodate movement.

Shortening a PTO driveline:

1. With the machine attached to the tractor’s 3-point hitch, and the PTO shaft not installed, separate the PTO shaft. Attach the machine end to the machine and the other end to the tractor PTO input shaft.
2. Raise the machine by using the tractor’s hydraulic 3-point hitch to its maximum lift height.
3. Hold the half shafts next to each other and mark them so each end is approximately 1/2” from hitting the end of the telescopic profiles.
4. Shorten the inner and outer guard tubes equally.
5. Shorten the inner and outer profiles by the same length as the guard tubes. Using a rattail file, round off all sharp edges and burrs. Grease the telescopic profile generously before reassembling.



When fully extended, the tubes must overlap by at least 1/3 of the length of the pipes (LT). When retracted, the min. acceptable clearance is 1-2 cm (3/8”-3/4”)

Scan the QR code below for more detailed information on PTO installation.



Operating Instructions

Spreading Operation

Consider the following factors when determining material quantity distributed per acre:

1. Operating speed is determined by ground conditions. Faster speeds can be obtained on dry, even, cleared land. Slower speeds are required for uneven ground. Making a practice run will help determine the correct setting for spreading as conditions vary.
2. Type or material distributed, density, moisture content, etc.
3. Width of spreading area.
4. Spreader lever position.

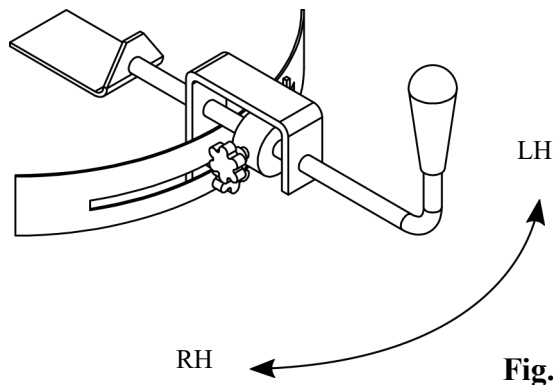
Spreading Adjustment SSC-100, SSC-150

Spreading can be adjusted 2 ways.

1. Spread pattern.
2. Amount of material distributed.

Spread Pattern (See Fig. 2)

The spread pattern is regulated by sliding the Adjustment Lever Left, Right, or Center



Operating Instructions

Spread Pattern cont. (See Fig. 3).

Loosen the Adjustment Knob and slide the Adjustment Handle, Left, Center, Right to the desired position and re-tighten. The spread pattern is adjusted by the changing the position of the shutters.

- LH position, the spread pattern will be mostly 90 degrees to the right, (Fig 3A)
- Center position, the spread pattern will be 180 degrees, (Fig 3B)
- RH position, the spread pattern will be mostly 90 degrees to the left, (Fig 3C)

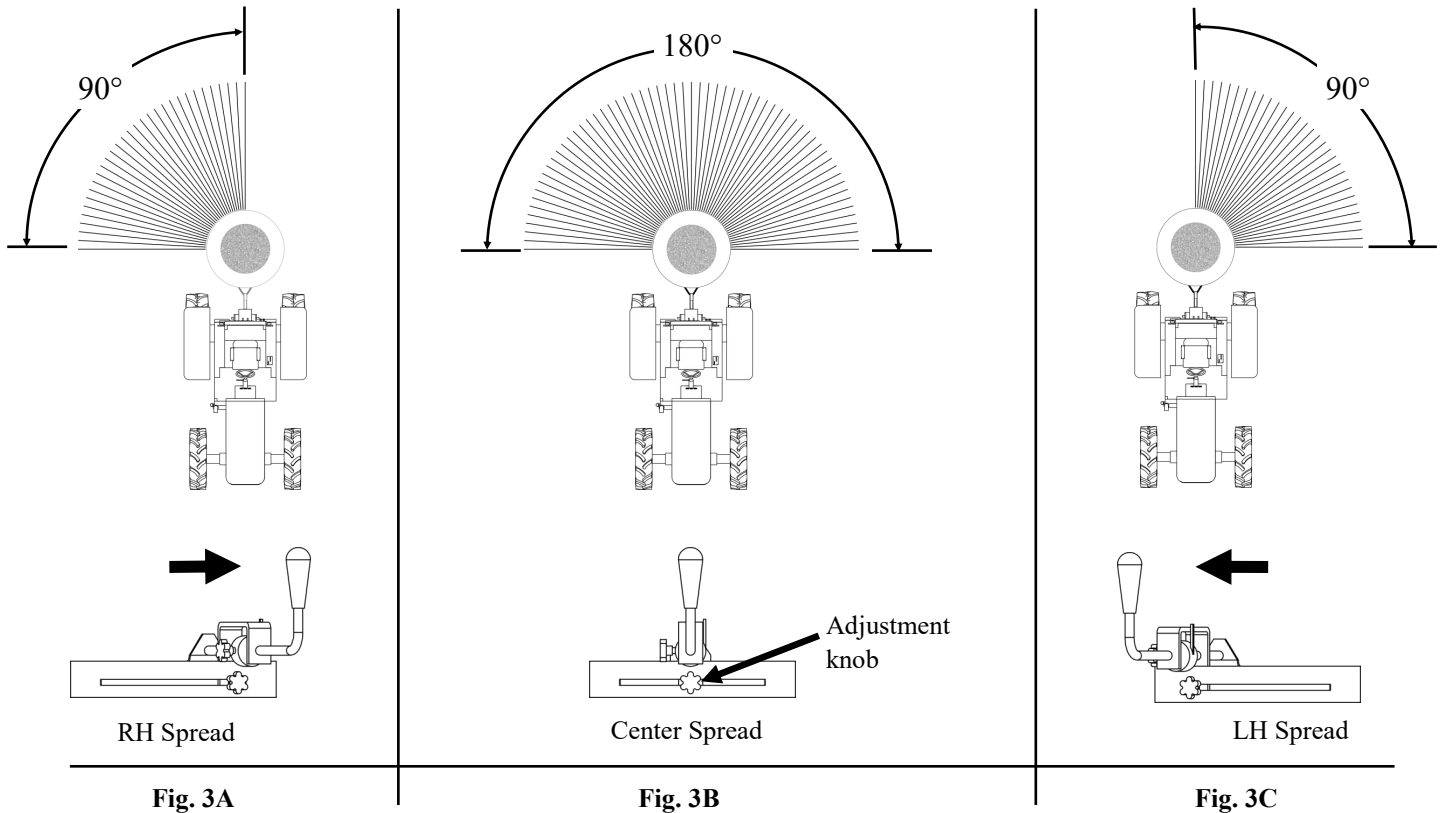


Fig. 3

Amount of material spread (See Fig. 4).

1. Loosen the knob located on the Adjustment Handle rod. Slide the Adjustment Handle in towards the hopper to spread less material, out away from the hopper to spread more material. Sliding the handle all the way in will close the gate and no material is spread.

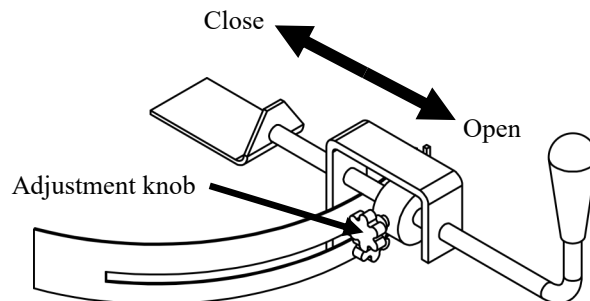


Fig. 4

Operating Instructions

Spreading Adjustment SSS-300, SSS-400, SSS-500, SP500

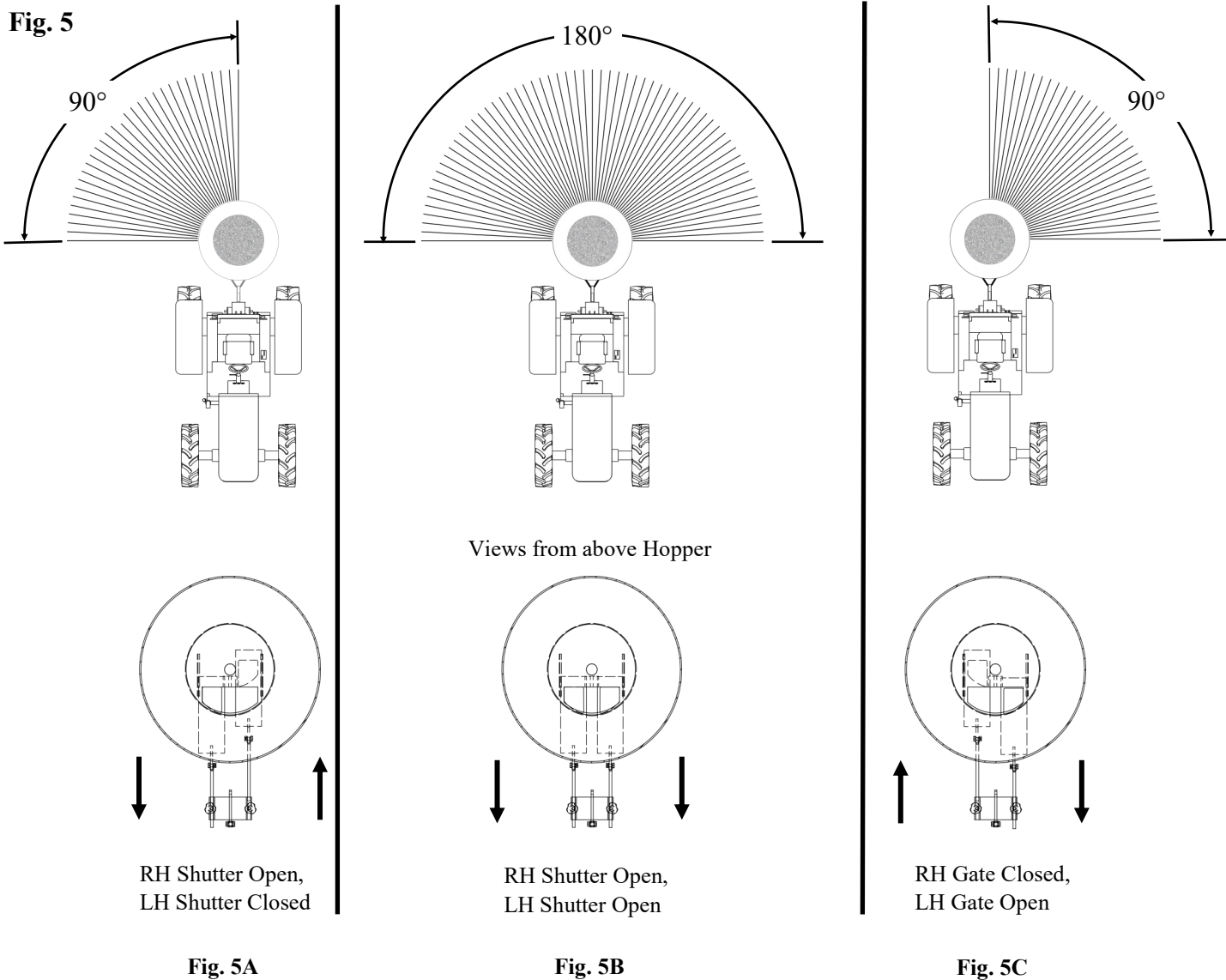
Spreading can be adjusted 2 ways.

1. Spread pattern.
2. Amount of material distributed.

Spread Pattern (See Fig.5)

The spread pattern is adjusted by the changing the position of the shutters.

- RH shutter open, LH shutter closed: material will spread mostly right of the spreader. (Fig 4A).
- Both shutters open: material will spread 180 degrees behind the spreader, (Fig 4B).
- LH shutter open, RH shutter closed: material will spread to spread mostly left of the spreader. (Fig 4C).



Operating Instructions

Spread Pattern (Continued) (Fig 6).

Spread pattern can further be regulated by adjusting the Spreader Wings located on the Spreader Disc, (See Fig. 5) Loosen the bolt “A” (do not remove) and remove Bolt “B”. Rotate the Spreader Wings **Clockwise** to spread material more to the left. Rotate Spreader Wings **Counter-Clockwise** to spread material more to the right. Be sure to tighten hardware to proper torque settings. See “Torque Specifications” Chart on page 23.

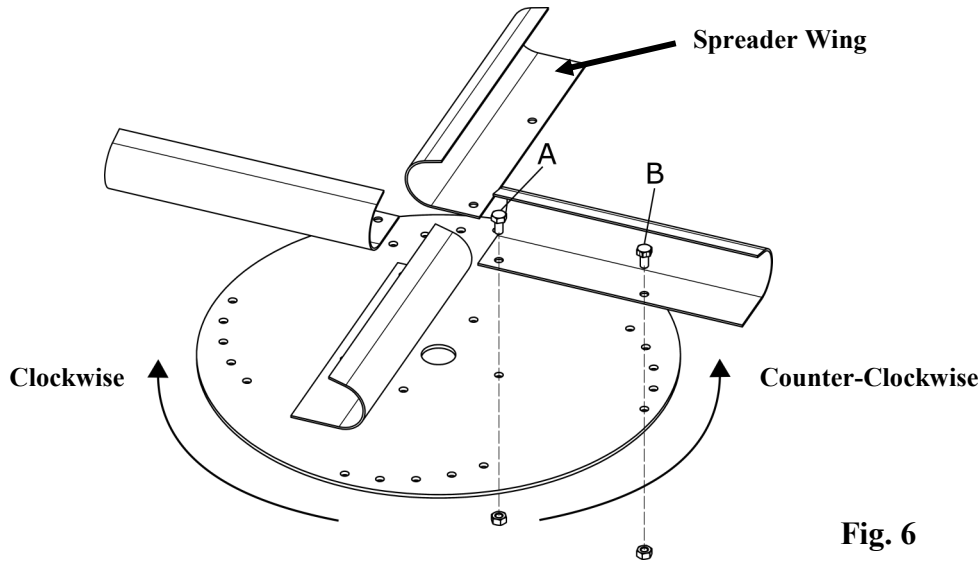


Fig. 6

Amount of material spread (See Fig. 7)

1. Slide the Shutter in towards the hopper to spread less material, slide out away from the hopper to spread more material. Sliding the handle all the way in will close the shutters and no material will dispense.

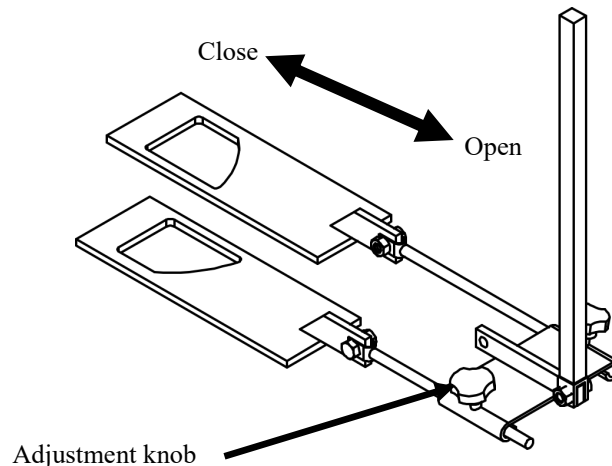


Fig. 7

Maintenance



Danger: Never attempt to perform maintenance on the machine without first stopping the towing vehicle's engine, setting the parking brake and removing the key from the ignition. Always wear the proper protection (PPE) when performing service. Refer to the chemical manufacturer for proper safety recommendations.

Maintenance

- Proper maintenance is the responsibility of the owner/operator. Poor maintenance is an invitation to trouble.
- Operate the spreader in an area with adequate ventilation. Never operate the engine of the towing vehicle in a closed building. Exhaust fumes may cause asphyxiation (suffocation) leading to serious injury or death.
- Be certain all moving parts on attachments have come to a complete stop before attempting to perform maintenance.
- Always use the proper tools or equipment for the job at hand. Maintenance area should be clean and dry. Electrical outlets and tools are to be properly grounded.
- Use extreme caution when making adjustments. Securely block equipment before servicing.
- After servicing, be sure all tools, parts and service equipment are removed.
- Use personal protection equipment (PPE) such as eye, hand, hearing and proper mask to filter any chemicals used.
- Check tightness of all hardware periodically, including; bolts, nuts, screws, pins. See page "Torque Specification" Chart in page 23 for proper torque specifications.
- Inspect tires for damage, wear and tear, and pressure. Add the proper amount of air according to the tire manufacturers specifications. Pressure specifications can be found on the tire.
- Use caution when inflating or servicing tires. Tires can be extremely dangerous if mishandled. Call on trained professions to service the tires if necessary.
- Where replacement parts are necessary for periodic maintenance and servicing, genuine factory replacement parts must be used to restore your equipment to original specifications. The manufacturer will not claim responsibility for use of unapproved parts and/or accessories and other damages as a result of their use.
- If equipment has been altered in any way from original design, the manufacturer does not accept any liability for injury or warranty.

Service

Before operating spreader:

- Grease all exposed moving parts.
- Check air pressure in tires.
- Check all hardware for tightness.
- Replace worn or damaged parts.

Maintenance

After operating spreader:

- Wash the spreader thoroughly. This is extremely important especially after spreading corrosive materials such as fertilizer or salt. These materials are highly corrosive and will eat away at metal parts.
- Dry the machine after washing to remove any remaining water. Moisture will cause rust to form and corrode metal parts.
- Exposed parts should be coated with a thick layer of grease for lubrication and protection.

End of season or prolonged storage:

- Spreader should be washed and dried thoroughly.
- Examine the spreader for any damaged or worn parts. Replace with OEM parts to prevent voiding warranty.
- Check for corrosion on painted parts. It is advisable to remove any loose rust, prime and paint these parts to avoid further corrosion.
- All exposed moving parts should be coated with grease.
- Store the spreader in a clean and dry location. If shelter is not possible, the spreader should be covered from the elements.

Torque Specifications

Torque Specifications for Common Bolt Sizes															
Inches		Bolt Head Identification						Metric		Bolt Head Identification					
										5.8		8.8		10.9	
Bolt size (inches)	Thread pitch	Grade 2		Grade 5		Grade 8		Class 5.8		Class 8.8		Class 10.9			
		N.m	ft-lb	N.m	ft-lb	N.m	ft-lb	N.m	ft-lb	N.m	ft-lb	N.m	ft-lb		
1/4"	20	7	5	11	8	16	12	M5	0.08	4	3	6	4	9	7
1/4"	28	8	6	13	10	19	14	M6	1	6	4	10	7	15	11
5/16"	18	15	11	24	17	33	25	M8	1.25	16	12	25	18	36	27
5/16"	24	17	13	26	19	37	27	M8	1	17	13	26	19	38	28
3/8"	16	27	20	42	31	59	44	M10	1.5	31	23	48	35	71	52
3/8"	24	31	23	47	35	67	49	M10	1.25	33	24	51	38	75	55
7/16"	14	43	32	67	49	95	70	M10	1	35	26	53	39	78	58
7/16"	20	48	36	75	55	106	78	M12	1.75	54	40	84	62	123	91
1/2"	13	66	48	102	75	144	106	M12	1.5	56	41	87	64	128	94
1/2"	20	75	55	115	85	163	120	M12	1.25	59	44	90	66	133	98
9/16"	12	95	70	147	109	208	154	M14	2	84	62	133	98	195	144
9/16"	18	106	79	164	121	232	171	M14	1.5	94	69	142	105	209	154
5/8"	11	132	97	203	150	287	212	M16	2	131	97	206	152	302	223
5/8"	18	149	110	230	170	325	240	M16	1.5	141	104	218	161	320	236
3/4"	10	233	172	361	266	509	376	M18	2.5	181	133	295	218	421	310
3/4"	16	261	192	403	297	569	420	M18	2	196	145	311	229	443	327
7/8"	9	226	167	582	430	822	606	M18	1.5	203	150	327	241	465	343
7/8"	14	249	184	642	473	906	668	M20	2.5	256	189	415	306	592	437
1"	8	339	250	873	644	1232	909	M20	1.5	288	212	454	335	646	476
1"	12	371	273	955	704	1348	995	M22	2.5	344	254	567	418	807	595
1-1/8"	7	480	354	1077	794	1746	1288	M22	1.5	381	281	613	452	873	644
1-1/8"	12	539	397	1208	891	1958	1445	M24	3	444	327	714	526	1017	750
1-1/4"	7	677	500	1519	1120	2463	1817	M24	2	488	360	769	567	1095	808
1-1/4"	12	750	553	1682	1241	2728	2012	M27	3	656	484	1050	774	1496	1103
1-3/8"	6	888	655	1992	1469	3230	2382	M27	2	719	530	1119	825	1594	1176
1-3/8"	12	1011	746	2268	1673	3677	2712	M30	3.5	906	668	1420	1047	2033	1499
1-1/2"	6	1179	869	2643	1949	4286	3161	M30	2	1000	738	1600	1180	2250	1659
1-1/2"	12	1326	978	2974	2194	4823	3557	M36	4	1534	1131	2482	1830	3535	2607

Notes:

This chart is an approximate estimate of torque values.

Always tighten hardware to these values unless a different torque value or tightening procedure is listed for a specific application.

Fasteners must always be replaced with the same grade as specified in the manual.

Always use the proper tool for tightening hardware: SAE for SAE hardware and Metric for Metric hardware.

Make sure that fastener threads are clean and that you properly start thread engagement.



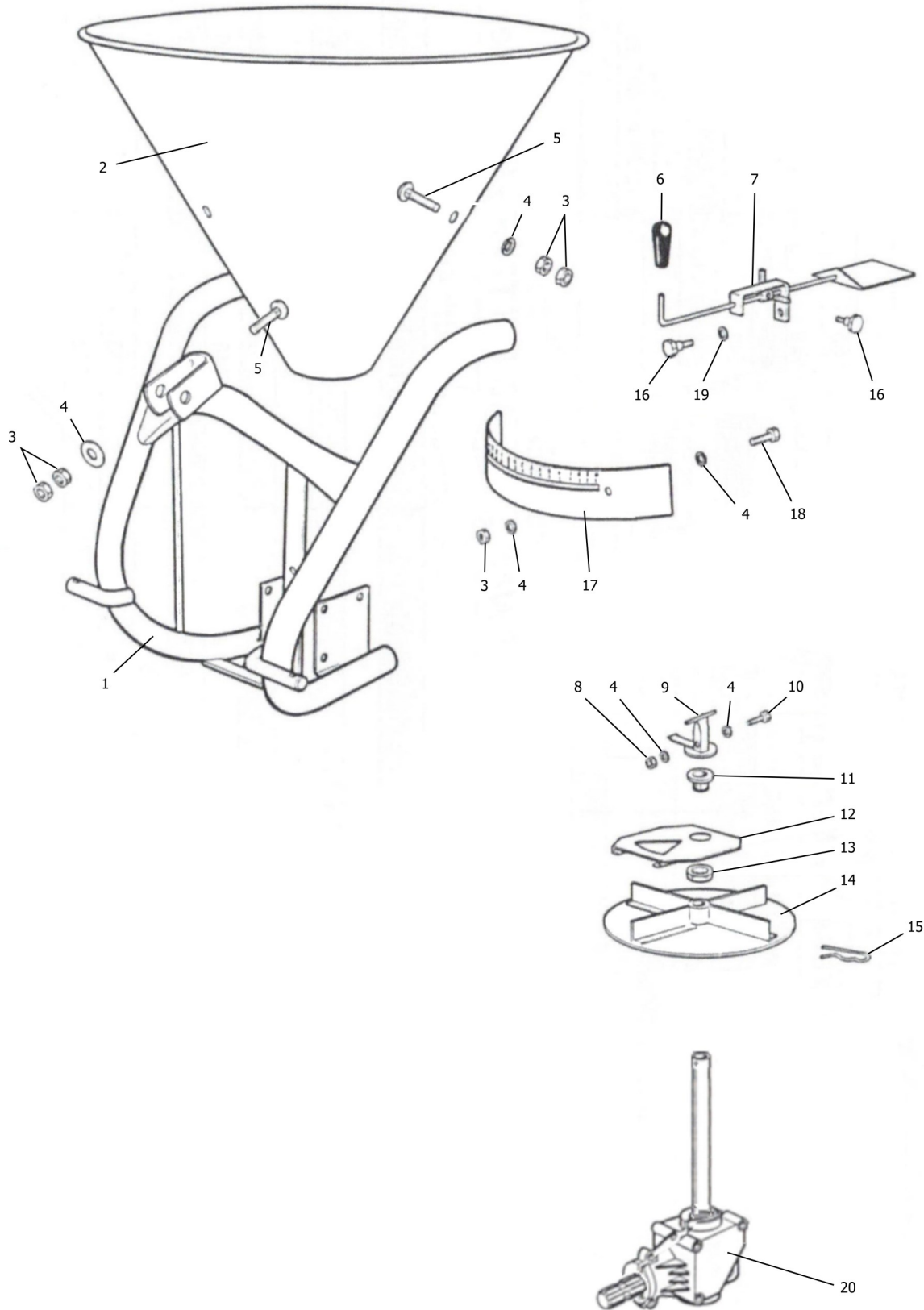
Spin Fertilizer Spreader

SSC-SSS-SP



Parts Manual

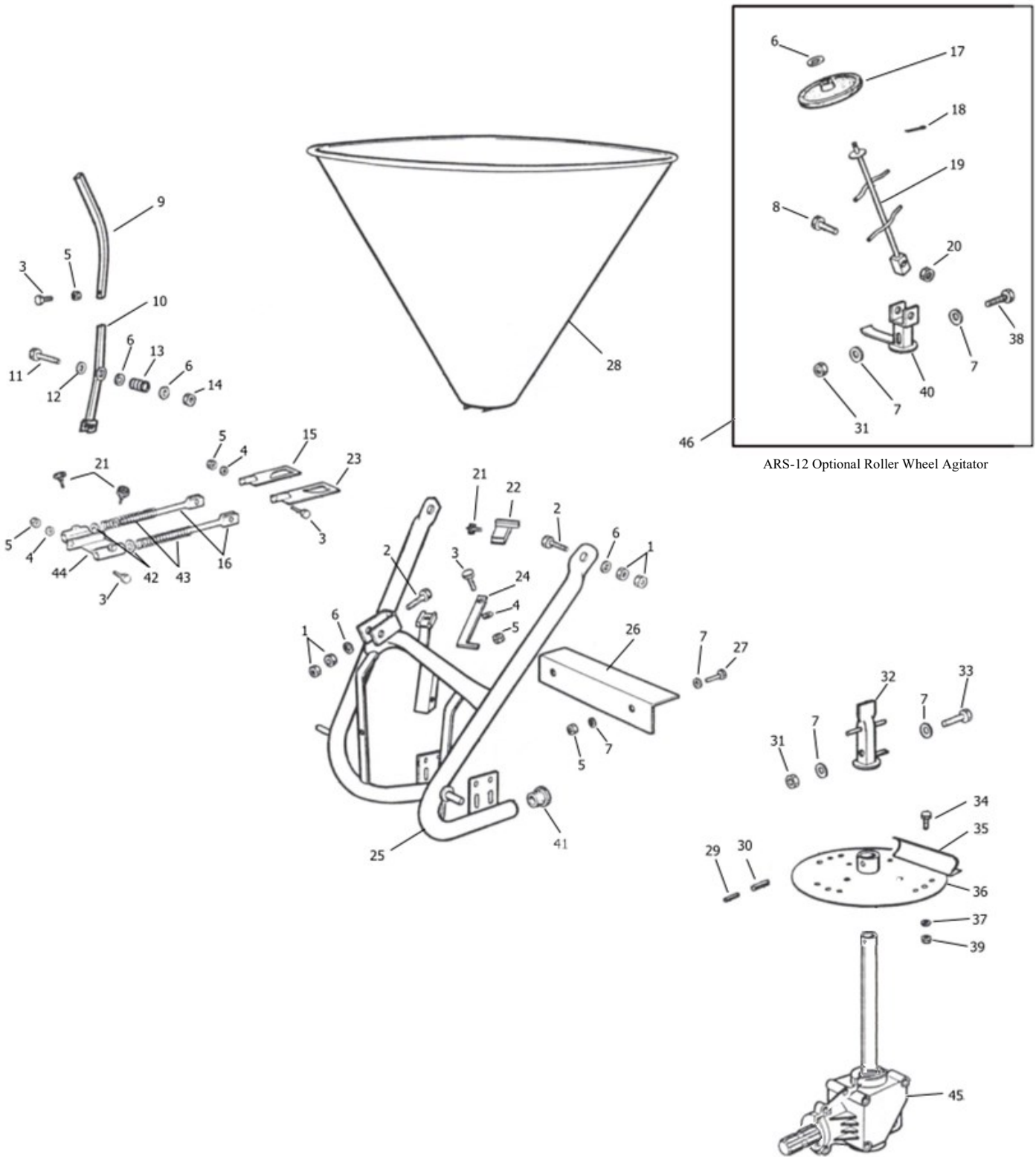
SSC-100, SSC-150 Spreader Assembly



SSC-100, SSC-150 Spreader Assembly

Item	Part #	Description	Qty.
1	RP03-150-01-00	Frame	1
2	RP03-100-02-00	Hopper SSC-100	1
	RP03-149-02-00	Hopper SCC-150	1
3	NM08125	Nut HH M8-1.25	8
4	FW08	Washer flat M8	3
5	CBM081225	Carriage Bolt M8-1.25 x 25	3
6	RP02-000-34-00	Shutter Regulation Knob	1
7	RP02-000-19-00	Shutter Adjusting device	1
8	LNM08125	Nut self-locking M8-1.25	1
9	RP03-000-10-00	Agitator	1
10	BM0812535	Bolt HH M8-1.25x35 8.8	1
11	RP03-000-12-00	Threaded bushing	1
12	RP02-000-48-00	Mobile shutter	1
13	RP02-000-47-01	Nut HH M30-2.0	1
14	RP03-000-15-00	Spreader disc	1
15	RP02-000-43-00	R Clip M5	1
16	RP02-000-20-00	Hand Wheel 6x15	2
17	RP03-000-26-00	Guard	1
18	BM0812518	Bolt HH M8-1.25x16	2
19	RP03-000-33-00	Washer 6 x 18	1
20	RP03-150-71-01	Gear box assembly	1
-	RP03-150-60-00	PTO Shaft Complete	1

SSS-300, SSS-400, SSS-500, SP-300, SP-500 Assembly

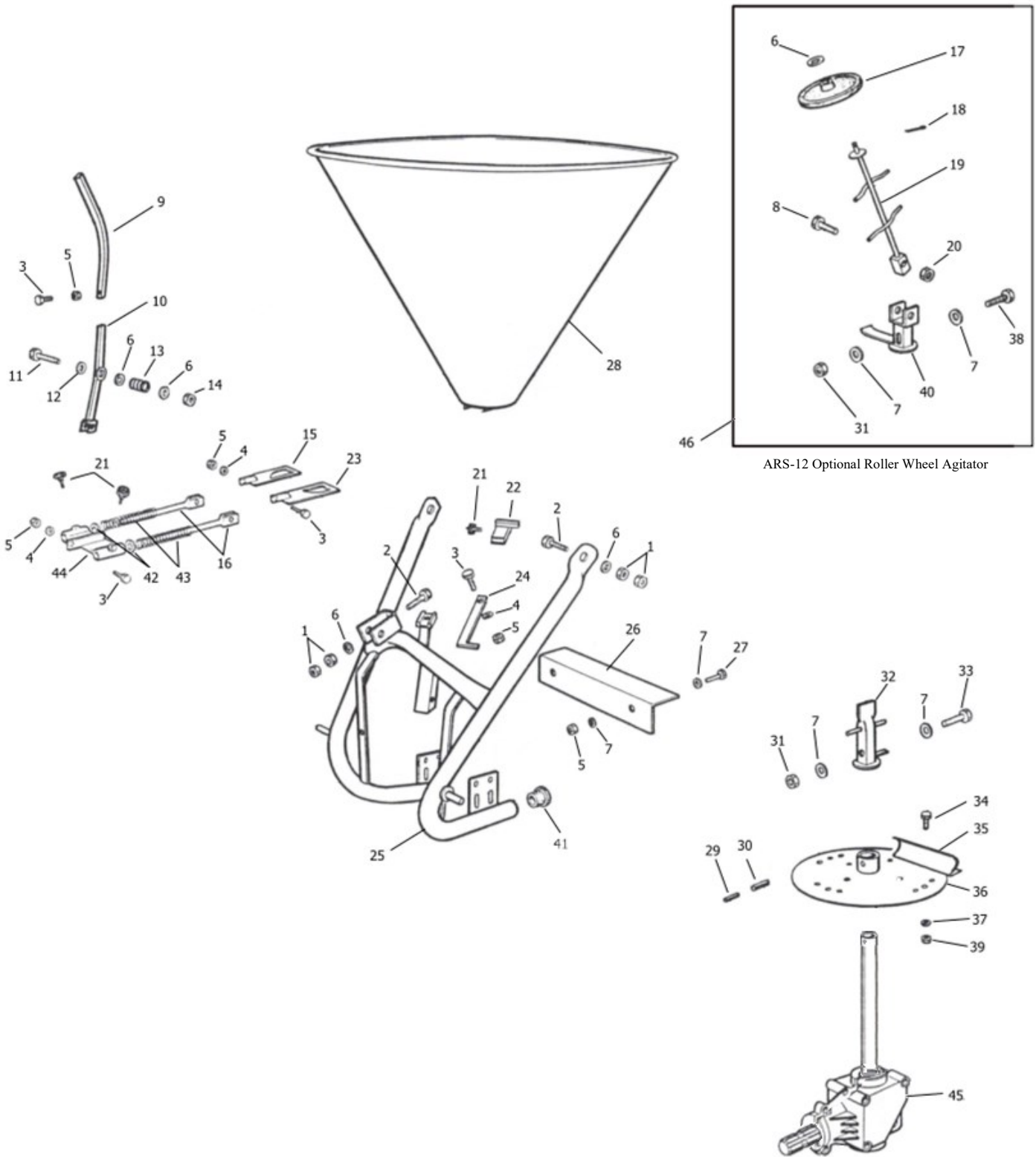


ARS-12 Optional Roller Wheel Agitator

SSS-300, SSS-400, SSS-500, SP-300, SP-500 Assembly

Item	Part #	Description	Qty.
1	NM12175	Nut M12-1.75	6
2	CBM1217530	Carriage bolt M12-1.75x30	3
3	BM0812525	Bolt M8-1.25x25	5
4	LW08	Lock washer M8	4
5	NM08125	Nut M8-1.25	7
6	RP04-000-06-00	Washer 14x28	5
7	RP04-000-07-00	Washer M8x17	6
8	BM0812540	Bolt M8-1.25X40	1
9	RP04-000-09-00	Lever	1
10	RP04-002-10-01	Lever bracket	1
11	BM1217580	Bolt M12-1.75x80	1
12	RP04-000-12-00	Nylon washer 12x48x3	1
13	RP04-000-13-00	Spring	1
14	LM12175	Lock nut M12-1.75	1
15	RP04-002-30-01	R.S shutter	1
	RP04-002-30-20-IXPY	R.S shutter / stainless steal	1
16	RP04-002-17-01	Tie rod	2
17	RP04-000-19-00	Rubber wheel	1
18	CP4x40	Cotter pin M4 x 40	1
19	RP04-000-22-00	Powder stirrer shaft	1
20	LM1015	Lock nut M10-1.50	1
21	RP04-000-28-00	Hand wheel Mx15	3
22	RP04-000-29-00	Lever stopper	1
23	RP04-002-15-01	Left shutter	1
	RP04-002-15-20-IXPY	Left shutter \ stainless steel	1
24	RP04-002-31-01	Scaled rod	1
25	RP04-150-32-01	Frame SP 150-250-300-400	1
26	RP04-000-33-00	Guard	1
27	BM0812520	Bolt M8-1.25x20	2
28	RP04-300-35-01	Hopper SSS-300	1
	RP04-400-35-10	Hopper SSS-400	1
	RP04-500-35-01	Hopper SSS-500	1
	RP04-300-35-12	Hopper SP-300SS Poly	1
	RP04-500-35-12	Hopper SP-500SS Poly	1

SSS-300, SSS-400, SSS-500, SP-300, SP-500 Assembly



SSS-300, SSS-400, SSS-500, SP-300, SP-500 Assembly

Item	Part #	Description	Qty.
29	RP04-000-3600	Spring pin M5x40	1
30	RP04-000-37-00	Spring pin M8x40	1
31	LN08125	Self-locking nut M8-1.25	1
32	RP04-000-39-00	Agitator	1
33	BM0812540	Bolt M8-1.25x40 8.8	1
34	BM0612515	Bolt M6-1.25x15	8
35	RP04-000-42-00	Spreader wing	4
	RP04-000-42-10IX	Spreader wing \ stainless steal	4
36	RP04-000-43-00	Spreader disc	1
37	LW06	Lock washer M6	8
38	BM0812545	Bolt HH M8-1.25x45 8.8	1
39	NM0610	Nut M6-1.00	8
40	RP04-000-51-00	Powder articulated stirrer	1
41	RP04-000-52-00	Rubber Cap 60	2
42	LW10	Lock washer M10	3
43	RP04-002-61-00	Spring tie rod	2
44	RP04-002-62-00	Tie rod plate	1
45	RP04-150-71-01	Complete gear box	1
46	ARS-12	Complete articulated stirrer	1
-	RP04-150-70-00	Complete PTO shaft (Not shown)	1

Warranty

LIMITED WARRANTY

Belco Resources Equipment warrants to the original purchaser of any new piece of machinery from Belco Resources Equipment, purchased from an authorized Belco Resources Equipment dealer, that the equipment be free from defects in material and workmanship for a period of one (1) year for non-commercial, state, and municipalities' use, ninety (90) days for commercial use from date of retail sale. Warranty for rental purposes is thirty (30) days. The obligation of Belco Resources Equipment to the purchaser under this warranty is limited to the repair or replacement of defective parts.

Replacement or repair parts installed in the equipment covered by this limited warranty are warranted for ninety (90) days from the date of purchase of such part or to the expiration of the applicable new equipment warranty period, whichever occurs later. Warranted parts shall be provided at no cost to the user at an authorized Belco Resources Equipment dealer during regular working hours. Belco Resources Equipment reserves the right to inspect any equipment or parts, which are claimed to have been defective in material or workmanship.

This limited warranty does not apply to and excludes wear items such as shear pins, tires, tubes knives, blades or other wear items. Oil or grease is not covered by this warranty.

All obligations of Belco Resources Equipment under this limited warranty shall be terminated if:

- Proper service is not performed on the machine.

- The machine is modified or altered in any way.

- The machine is being used or has been used for purposes other than those for which the machine was intended.

DISCLAIMER OF IMPLIED WARRANTIES & CONSEQUENTIAL DAMAGES

Belco Resources Equipment obligation under this limited warranty, to the extent allowed by law, is in lieu of all warranties, implied or expressed, including implied warranties of merchantability and fitness for a particular purpose and any liability for incidental and consequential damages with respect to the sale or use of the items warranted. Such incidental and consequential damages shall include but not be limited to: transportation charges other than normal freight charges; cost of installation other than cost approved by Belco Resources Equipment; duty; taxes; charges for normal service or adjustment; loss of crops or any other loss of income; rental of substitute equipment, expenses due to loss, damage, detention or delay in the delivery.

REGISTRATION

The online Warranty Registration must be completed in order to qualify for coverage on this Limited Warranty. Visit br-equipment.com, click on "Warranty Registration" and completely fill out the form to register the new piece of equipment.

Page left blank intentionally



401 Jeffreys Road
Rocky Mount, NC 27804
www.tarrivermfg.com

Tel: 252-822-7140
Fax: 252-787-5855
Sales@tarrivermfg.com