

BATRAKE 8 - 10 - 12

Carted V-Rake



TRANSLATION
OF THE ORIGINAL
INSTRUCTIONS

USE AND MAINTENANCE MANUAL

issue 4a - 11/2020



EC DECLARATION OF CONFORMITY

(Annex IIA Machinery Directives 2006/42/EC)

The Manufacturer **ENOAGRICOLA ROSSI s.r.l.**
with head office in via Cortonese, 36 - 06019
Calzolaro di Umbertide (PG) - Italy

declares under its own responsibility that the machine

BATRAKE WHEEL RAKE

.....
Generic denomination and commercial name

BATRAKE

.....

20..

.....
Series/Model

.....
Serial number

.....
Construction year

whose functions are described in this manual

is conform to the Essential Requirements of Safety and Health Protection, as per Machinery Directive EC/2006/42 and to the Directive EC/94/20 relating to the mechanical coupling devices of motor vehicles and their trailers and their attachment to those vehicles

To check the conformity of the Directives mentioned up here, the following EN Harmonized Norms have been consulted:

EN 13854:2020 - EN 4413:2012 - EN ISO 4254-1:2015
EN ISO 4254-10:2010 - ISO 11684 (1995)- EN 12100:2010 - EN ISO 12965:2020
EN ISO 13857:2020 - ISO 3600:2015

and he authorizes Enorossi
via Cortonese, 36 - 06019 Calzolaro di Umbertide (PG) - Italy

to compile the relevant technical documentation

Calzolaro di Umbertide,

GIOVANNINI ADELMO

.....
Legal representative

ENOAGRICOLA ROSSI s.r.l.
06019 Calzolaro di Umbertide Perugia Italia
Tel. (39) 075-930 22 22 - Telefax (39) 075-930 23 28
enorossi@enorossi.it - info@enorossi.it
www.enorossi.it - http://www.enoagricolarossi.com

Machinery Directive and Harmonized norms:

The wheel rake series "BATRAKE have been designed in accordance with the norms described in the Machinery Directive **2006/42/EC** and in Directive **94/20/EC** and particularly it satisfies the following Harmonized norms:

EN 13854:2020 Safety of machinery. Minimum gaps to avoid crushing of parts of the human body

EN ISO 4413:2012 Hydraulic fluid power -- General rules and safety requirements for systems and their components

EN ISO 4254-1:2015 Agricultural machinery - Safety - Part 1: General requirements

EN ISO 4254-10:2010 Agricultural machinery - Safety - Part 10: Rotary tedders and rakes

ISO 11684: Tractors, machinery for agriculture and forestry, powered lawn and garden equipment - Safety signs and hazard pictorials - General principles (1995)

EN 12100:2010 Safety of Machinery - General principles of design - Risk assessment and risk reduction

EN 12965:2020 Tractors and machinery for agriculture and forestry. Power take-off (PTO) drive shafts and their guards – Safety

EN 13857:2020 Safety of machinery - Safety distances to prevent hazard zones being reached by upper and lower limbs

ISO 3600:2015 Tractors, machinery for agriculture and forestry, powered lawn and garden equipment - Operator's manuals - Content and presentation

All rights are reserved. It's forbidden reproducing or coping any parts of this manual, in any form, without the explicit permission signed by ENOROSI. The contents of this manual can only be modified by the Manufacturer and without notifying the Customer.

CONTENT

INTRODUCTION	5
A1 INFORMATION ABOUT THE WHEEL RAKES	5
A2 INFORMATION ABOUT THE MANUAL	5
A3 IDENTIFICATION AND CE MARK	6
A4 MAIN COMPONENTS AND TECHNICAL DATA	6
A5 WARRANTY	7
SAFETY	8
B1 GENERAL RULES	8
B2 SAFETY NOTES ON TRANSPORT, INSTALLATION, MOVEMENT AND USE	8
B3 THE OPERATOR'S RESPONSIBILITIES AND SAFETY	10
B4 NOISINESS	11
INSTALLATION	12
C1 RAKE ASSEMBLY	12
C2 HITCHING TO THE TRACTOR	12
C3 HYDRAULIC CONNECTIONS	13
C4 REMOVAL	13
C5 STORAGE OF THE WHEEL RAKE	13
OPERATION AND USE	14
D1 PRELIMINARY INFORMATION	14
D2 OPERATION AND USE	14
D2.1 WORKING PROCESS (SWATHING)	15
D2.2 ADJUSTMENT OF THE SWATH FORMATION	16
D2.3 ADJUSTMENT OF THE WHEEL GROUND PRESSURE	17
D2.4 LOCKING OF THE MOBILE CHASSIS	18
MAINTENANCE	19
E1 MAINTENANCE INSTRUCTIONS	19
E2 PROGRAMMED MAINTENANCE	19
E2.1 PRELIMINARY CHECK	19
E2.2 DAILY CHECKS	19
E2.3 CHECKS ON A WEEKLY BASIS OR PER 50 OPERATING HOURS	19
E3 LUBRICATION	20
E4 REPLACING A WHEEL AND/OR ITS TEETH	20
E5 TROUBLESHOOTING	20
E6 MACHINE DEMOLITION: DISPOSAL OF MATERIALS	21

INTRODUCTION

A1 Information about the wheel rakes

The wheel rake is an agricultural equipment used to harvest every type of forage previously cut into windrows. This equipment can operate only if it is attached to an agricultural tractor equipped with trailer hitch and with rear auxiliary hydraulic quick-release couplings.

Its operation, besides to be hydraulic for the movement of two mobile chassis and of additional central wheel (*kicker wheel*), is obtained for effect of the trailing by the tractor to which it is attached. The consequent rotating movement of the wheels (the main component of the equipment, of which there can be up to 13), allows to form uniform and well aerated windrows. Our **BATRAKE** models, all of trailed type, are equipped with a flexible yet sturdy chassis that adapts perfectly to all kinds of terrain, however steep and rugged and to follows perfectly the their profile.

Information more detailed about the rake operation is described in the relative chapter.

A2 Information about the manual

The company **ENOROSI** (hereafter mentioned as “Manufacturer”) designed and built the equipment according to the appropriate safety rules with the precise purpose to safe-guard both the personnel operating on the equipment that the whole operative system.

Every rake is supplied with a copy of this manual, which has to be read very carefully before using the machinery. In the manual are described the necessary information about the transport, the use and the maintenance of the equipment as well as the relative safety rules.

Lack of knowledge about its operating system may cause accidents with damages to the operator and to the equipment itself. Therefore, even if the Constructor, after the delivery, provides all the information concerning the wheel rake (operation, use and maintenance) the Customer has to read this manual and to observe the contained instructions.

The manual furnishes the general indications to obtain the best job and safety conditions but the experience and the common sense of the operator result however the most important factors for the equipment operation.

The manual has been written considering the present technical and constructive characteristics of both the models of the rakes and it doesn't consider the similar models already produced. Nevertheless, the Manufacturer would provide to modify the models under production too, with the purpose to improve it or to update it if new norms were emanated in subject (Machinery Directive), without the obligation to update the rakes already produced.

This manual is integrating part of the wheel rake, therefore, it has to be well conserved, clean and complete in every part of it and kept in an appropriate pack, placed on the equipment chassis or in the cabin of tractor, ready for any consultation.

In case of sale of the rake it will be important to verify that the manual is present in its pack. In the case it is missing, it will be necessary to ask a duplicate of it to the Manufacturer.

If during the manual reading, some instructions may occur incomprehensible, it is appropriate to contact the Manufacturer who provides all the desired information. If the manual was translated in another language and part of the contents give rise to controversies, the valid text to refer to remains the one written in the Italian language.

Contained signals in the manual:

IMPORTANT

indicates that the information must absolutely be known by the operator;



indicates a probable situation of danger for the operator or for others (slight accidents or injury) and/or for the reliability of the equipment and, accordingly, the necessity for the operator to use prudence and good sense;

the writing **Note** indicates that the treated matter can make it easier for the operators to carry out their work.

A3 Identification and CE mark

Every equipment is equipped with a identification plate, applied on the fixed chassis, well in sight, on which punched other than the Manufacturer data, also:

- the model (and/or version);
- the serial number ;
- the engine power (kw);
- the total weight (kg);
- the construction year .



Such data is necessary for technical assistance and for spares.

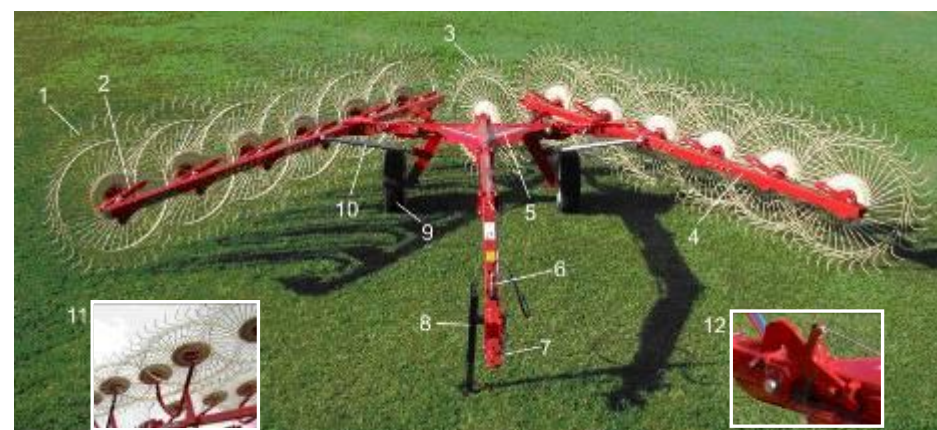
IMPORTANT

It is absolutely forbidden to alter and/or erase the data written on the identification plate of the equipment or of those written on the respective plates of the components. The operator is required to verify frequently the legibility of the data and, when this in doubt, to communicate with the Manufacturer. The data will be transferred to a new plate to replace the old one.

The EC mark indicates that the Manufacturer has complied with the regulations of the European Community concerning Health and Safety for vehicles of this type known as "**Machinery Directive**". This means that the Manufacturer has designed and built the equipment in accordance with all rules for its use and in order to avoid all possible risks and dangers. Therefore, the wheel rake can freely circulate in European territory only if provided with this mark and relative declaration of conformity.

A4 Main components and technical data

1. Wheel with teeth (independent single element)
2. Arms with hubs
3. Additional central wheel (kicker wheel)
4. Mobile chassis
5. Fixed chassis
6. Hydraulic quick-released coupling
7. Pull bar and drawbar eyes
8. Bearing foot
9. Wheel
10. Opening connecting rod
11. Wheel with tooth (double unit)
12. Mobile chassis locking device



Model	Wheels with teeth			Width		Transport length mm	Tractor power hp	Windrow width min/max mm	weight Kg	wheels
	N°	Teeth	Ø cm	Work mm	Transport mm					
BATRAKE 8	8	40	140	5600	2800	5350	20	950 /2100	650	205/70R15
BATRAKE 10	10	40	140	6600	2800	5850	20	950 /2100	740	205/70R15
BATRAKE 12	12	40	140	7400	2800	6650	30	950 /2100	850	205/70R15

A5 Warranty

The **Enorossi** firm (the Manufacturer) guarantees that all parts of the rake are free of defects as they are all tested before delivery to the Customer. **The warranty is valid for a year from the date specified in the fiscal delivery document, unless arranged otherwise in writing with the Customer.** The Customer, upon receipt of the shipment, must check the components are intact and none are missing. Any claims must be made to the Manufacturer in writing within 8 (eight) days of receiving the rake.

Any components with manufacturing or material defects that cause operating faults within the terms of the Warranty are replaced by the Enorossi firm at no charge and at its own premises. – If the components cannot be replaced at its premises, the Manufacturer will return the defective parts to the Customer's premises. In this case, the Enorossi firm cannot extend the term of the warranty for the time the rake is out of service, nor offer refunds or compensation for expenses or damage, whether direct or indirect. – If the services of one of our technicians are required, the Customer pays for all manual labour and travel expenses. Only the Manufacturer or technician employed by the Manufacturer should inspect the defect.

Please note:

- Defective parts remain the property of the Manufacturer;
- After parts are replaced at the Customer's premises, the defective parts must be returned to the Manufacturer for a technical inspection. The parts must be returned whole, without signs of tampering, and with **carriage paid**;
- if the defective parts are not returned to the Manufacturer within 30 days of receiving the new ones and not according to the requirements stated above, the Manufacturer reserves the right to invoice for the new parts delivered.

The warranty does not extend to:

- Transport as the rake is delivered at the Customer's own risk;
- Faults due to improper or incorrect use of the rake, or due to the operator's own negligence;
- Faults due to normal wear and tear, even when the rake is not in use;

- Delayed notification of manufacturing defects
- Accidents or circumstances outside one's control.

The warranty is forfeited when:

- The rake is used by someone who has not been properly trained;
- The rules and instructions in this manual have not been followed or complied with;
- The necessary maintenance is not carried out;
- The Customer makes changes to the rake without the Manufacturer's written consent, or tampers with the components;
- Any replacement parts are not original or not those recommended by the Manufacturer.

The warranty does not cover parts of the rake not produced by the Manufacturer and the terms for which are stated in the respective contract notes.

IMPORTANT

The Manufacturer cannot guarantee the rake's conformity to all the provisions of the law in force and, in particular, to those on the prevention of accidents and pollution in non-EU countries. It is the customer's own responsibility to ensure the conformity of the rake to the respective regulations. The Manufacturer cannot assume any liability for the customer's non-compliance with the aforementioned regulations and any ensuing disputes or damage.

SAFETY

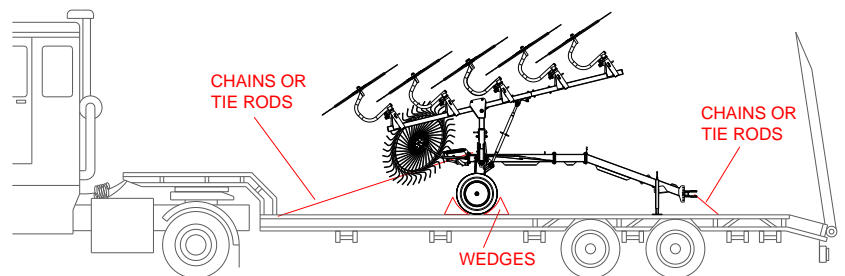
B1 General rules

This manual describes the safety regulations to be followed when using the rake. As most work-related accidents occur due to non-compliance with the most basic of safety regulations, **it is obligatory** to read this manual before using the rake and to follow all the instructions.

The equipment must be used by qualified adult personnel trained in its use. **The Manufacturer cannot be held liable for accidents due to the operator's negligence and/or non-compliance with the safety instructions. In this case the Manufacturer assumes no responsibility and the warranty is forfeited.**

B2 Safety notes on transport, installation, movement and use

- **Transport** (delivery): the equipment is fully dismantled and placed in a crate for the transport. The Customer can then re-assemble the parts quickly and easily on receipt, following the detailed instructions. If the rake is sold or handed over to another user, the rake can be dismantled by following the instructions in reverse order, although it can also be delivered fully assembled. If the distance and conditions are such that the rake cannot be transported by road hitched to the tractor, it can be easily put on a suitable means of transport, as shown in the figure.



The rake is loaded or unloaded via a ramp attached to the vehicle. The equipment, when ready for transport, is reversed onto the vehicle, then harnessed in place and fitted with all necessary safety devices for transport.

IMPORTANT

Do not forget that, for transportation and handling, the rake must be in its transport configuration as described in the chapter "Moving the rake".



Loading and unloading can involve a certain element of risk so must be carried out taking all due precautions.

Always take the following precautions:

- loading/unloading must be carried out on a flat surface and at a safe distance from slopes or ditches;
 - always make sure the ramps are strong enough to withstand the rake's weight (stated on the identification plate), are firmly attached to the vehicle and are parallel to each other and perpendicular with the edge of the vehicle;
 - ensure the ramps are clean, without any traces of oil, grease or ice;
 - never change direction when moving the rake onto or off the vehicle. If necessary, move the rake back down the ramp to turn it around.
- **Installation:** the equipment must only ever be attached to an agricultural tractor equipped with trailer hitch, rear auxiliary hydraulic quick-released coupling, universal three-point hitch and hydraulic lift.

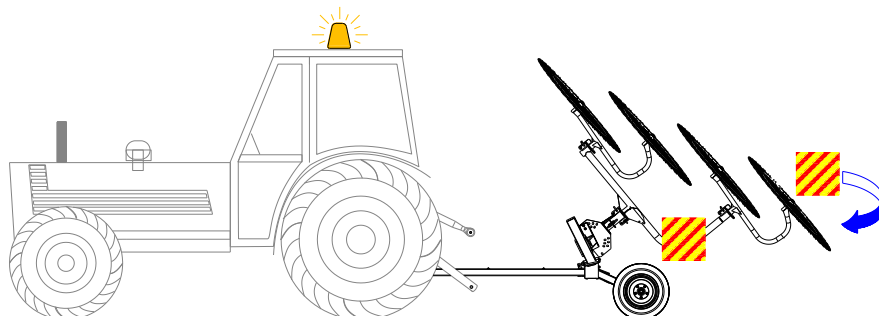
IMPORTANT

The tractor must also, by law, be fitted with a protective roll-bar or ROPS or FOPS cabin. **It is strictly forbidden to install the rake device on a tractor without the required protection equipment.**

Prior to installation, however, the Customer must check the use and maintenance manual of the tractor to make sure the tractor is compatible with rake, and whether ballasts are needed to prevent unbalance that could cause it to tip over.

Instructions on installation of the rake and hydraulic connections are given below.

- **Movement:** this is a trailed rake so must be hitched to the back of an agricultural tractor. The complete vehicle (the tractor with rake) does not require any luminous or acoustic signalling devices or panels when used in cultivated fields. However, you must do the following for road circulation:
 - **rear dimensions:** the operator should affix the relevant signs on the hay rake to indicate the rear dimensions of the tractor. It should be noted that the signs must be affixed on the three visible sides. The signs should be of an approved type, reflective and fluorescent, with red and yellow stripes.

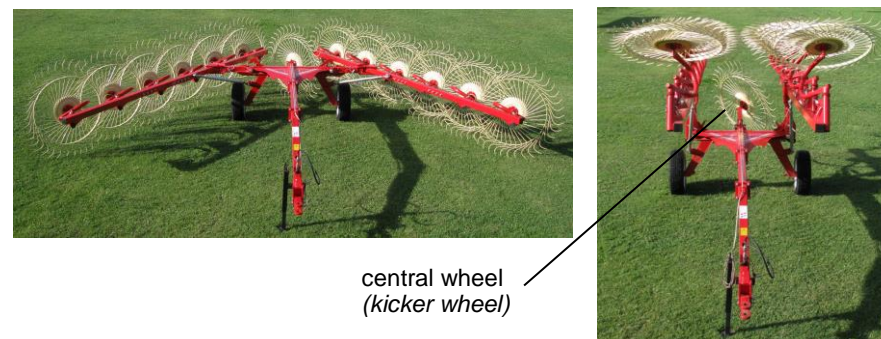
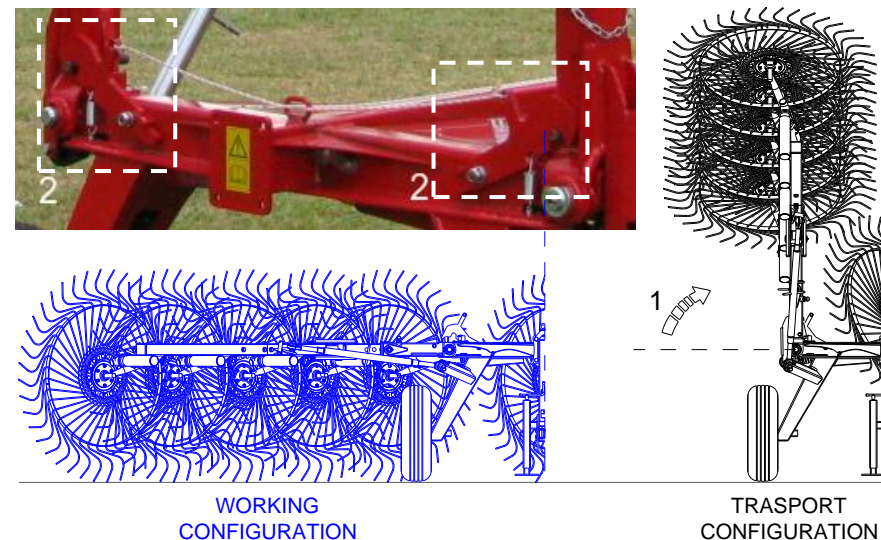


Furthermore, the width of the hay rake should never exceed the one of the tractor. Therefore, the equipment should be placed in the **transport configuration**, as shown in figure. This is essential as the rake can extend up to 8 metres in length when in use.

How to fold the hay rake in such configuration, if it was also in the work one, it will be necessary:

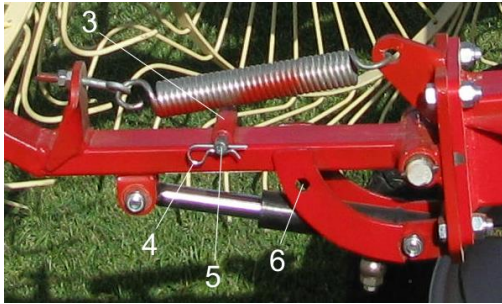
- start the tractor engine and after a few minutes, to lift the rake mobile chassis (1) by acting the auxiliary hydraulic circuit control lever, placed in cabin, up to them will be hooked by respective locking devices (2), placed on the fixed chassis and shown in figure.

Note: if the kicker wheel is present on the equipment (as shown in figure), after the lifting of two mobile chassis also it will be lifted by a proper jack (hydraulic series connection).



- In case the central wheel is present on the equipment, it is necessary to provide to avoid an its accident fall (due to an accidental extension of its jack) by the application of the proper safety device. A handle pin (5), foreseen for such purpose and so applied to the chassis (see figure), will be pulled out from its seat (3) removing before the R-pin (4) that locks it.

After that, the handle pin will be inserted in the hole indicated in figure (6), and fasten by the relative R-pin.



- **signalling devices:** the tractor must always be fitted with a flashing light and be driven at moderate speed, especially on rough roads, as the heavy weight at the back can make it difficult to drive;
- **weight:** the weight of the overall vehicle (tractor with rake) should not be over 30% more than the one of the tractor normal weight as stated on the registration certificate;
- **regulations:** you should be familiar with and observe the road traffic regulations that are currently in force in your country.

The driver in the cabin should take the following precautions when driving and using the vehicle (tractor with rake):

- do not take passengers with you in the tractor;
- do not transport people or animals on the rake;
- it is forbidden to stand between the wheel rake and tractor, even when the parking brake is on and the wheels are chocked;
- before reversing the tractor, always make sure the rake is NOT in its working configuration – if it is, put it in its transport configuration as otherwise the rake could cause or sustain damage;
- **Use:** the rake must only be put to the use for which it was intended and that is to rake up cut forage. **Any other use is therefore improper and forbidden.**

In addition, its technical characteristics must also not be altered in any way to modify performance, **otherwise the warranty will be forfeited immediately and the Manufacturer will refuse all responsibility.**

The rake must be used in conditions of good light and visibility. We recommend you do not work when light and visibility is poor as this can compromise normal levels of safety. Recommence work only when light and visibility has improved.

The rake does not require special maintenance during use as it is not operated directly, being trailed by the tractor; the operator must, however, make sure no persons or animals come too close in the interest of their safety.

In any case, the rake must only be operated by qualified and well trained adult personnel who have read the instructions in this manual. Safety is of prime importance for the personnel operating, repairing or maintaining the equipment. As the instructions given in this manual cannot cover all possible working situations and associated risks, personnel must always act with caution and use their common sense.

The operator must take the following precautions when using the wheel rake:

- the tractor must not be left running or unguarded, not even for short periods. The operator must always switch off the tractor engine and take the key with him;
- the equipment operation is relatively quiet and does not require use of acoustic protection (ear plugs, ear muffs, etc), although this may not be the case with the tractor. We recommend therefore that you check this in the tractor use and maintenance manual.

B3 The operator's responsibilities and safety

Safety is of prime importance for the personnel operating the equipment and each operator is therefore directly responsible for the rake operational check, maintenance, repairs and/or the use of spare parts or consumable materials. This means the aforementioned personnel must never delegate their work to operators without the necessary expertise.

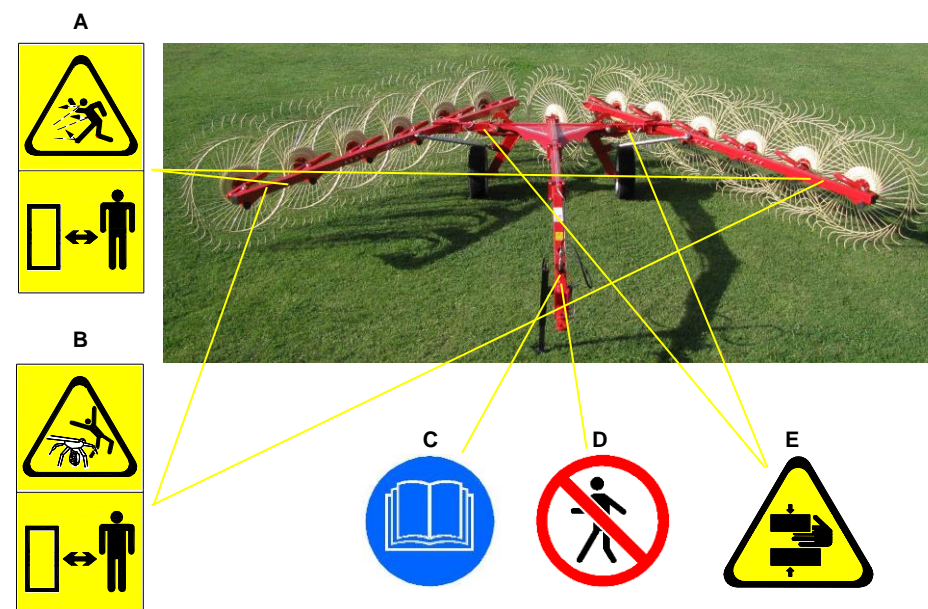
The Manufacturer assumes no liability for:

- improper or incorrect use of the equipment that can cause harm to persons and animals or damage to objects and the actual rake;
- employment of personnel who have not received proper training and/or has not read and understood the instructions in this manual;
- lack of essential maintenance;
- use of spare parts that are not type approved or not compatible with the rake model;

Further to the instruction in this manual, there are adhesive labels (shown in figure) on front part of the equipment to make the job easier for the operators. These labels represent the safety rules to observe and are designed to attract the attention of the operator and indicate the level of risk.

They vary in shape and colour, depending on the rules they are related to. The operator needs to know that circular labels stand for **obligation** (blue and white) or **prohibition** (red, white and black). The triangular labels stand for **danger** (yellow and black). Other rectangular labels emphasise warning of danger and supply more information about the safety rules need to be observed. The rules illustrated by the labels placed on the rake are:

- risk of flying objects.** Objects in the field of operation may be caught and thrown by the teeth of the wheel;
- risk of snagging.** As the star wheel rotates, there is a risk the teeth will snag on the operator clothes or other objects on the operator body;
- obligation** to read the use and maintenance manual;
- prohibition** for unauthorized persons to stand or move in the rake working area when it is being used. Persons must keep at a safe distance and should they need to move in the rake working area, they must do taking all due precautions;
- risk of crushing and/or cutting upper limbs:** if you need to operate in the area of this pictogram while the tractor is running, you should take all necessary precautions and wear protective gloves.



IMPORTANT

The pictograms and instruction labels must necessarily be replaced before they become illegible. If this happens, the operator cannot use the equipment until a new label is applied. Similarly it is utterly forbidden to remove the pictograms or instruction labels placed on the wheel rake. In any circumstances in which this occurs the Manufacturer disclaims all responsibility because the equipment would not meet the safety standards with which it was designed and manufactured.

B4 Noisiness

The wheel rake produces little noise other than that of its moving mechanical parts and has no motor. It is likely to be much quieter than the tractor to which it is hitched. The operator does not therefore need any acoustic protection (ear plugs, muffs, etc.). As for the noise produced by the tractor, you are advised to consult the respective use and maintenance manual.

INSTALLATION

C1 Rake assembly

As already said, the equipment is fully dismantled for delivery to the Customer. The rake can be assembled quickly and easily following the easy instructions (see Page 18). Assembly must be carried out on a flat surface prepared especially for the purpose. Assembly operators must be cognizant of the installation safety regulations and work with all due care and attention.

The rake, once it has been assembled, can be installed or hitched to a tractor.

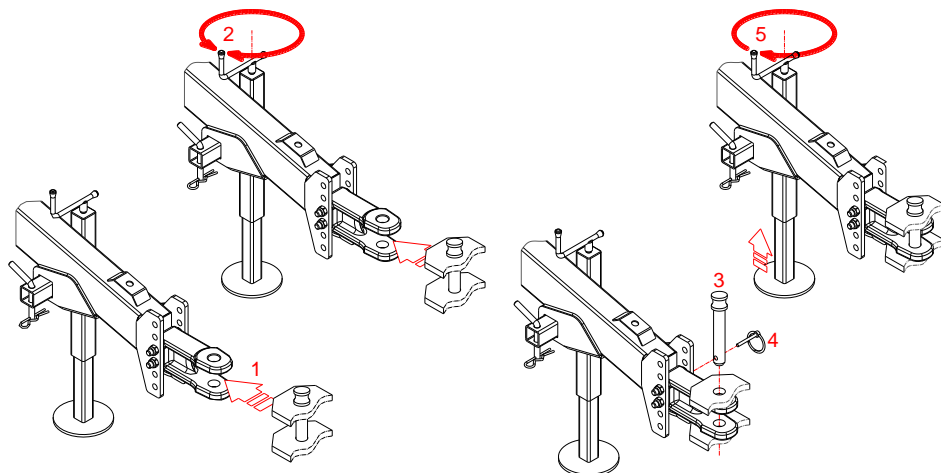
C2 Hitching to the tractor

The rake can be hitched to the attachment of any agricultural tractor. To do so, the operator must approach the tractor to rake slowly to a position where the joints can be easily aligned (1), see figure.

IMPORTANT

The holes in the tractor attachment must be aligned with those on the rake attachment (drawbar eyes) with maximum care and attention.

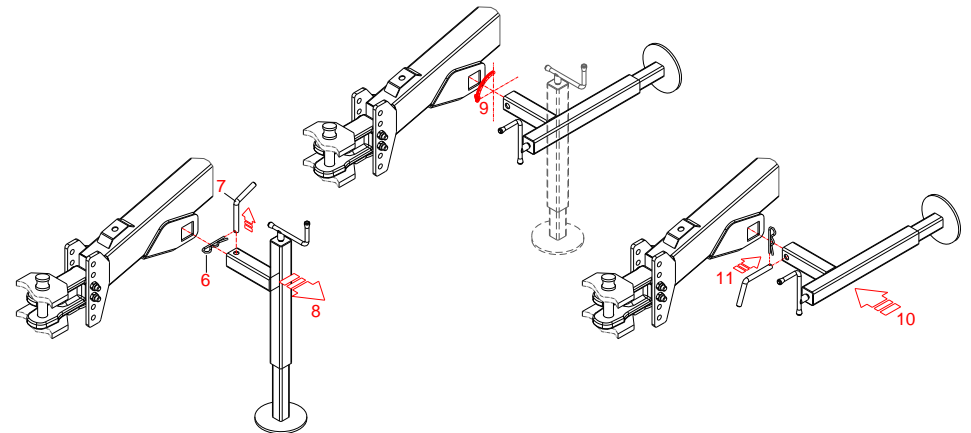
When the tractor is near the rake attachment, the operator turns the handle on the bearing foot (2) to lift or lower the pull bar and bring the drawbar eyes parallel with the tractor attachment holes. He can then insert the



locking pin (3) through the respective holes in the attachments, as shown in figure, and secure it in place with the respective safety pin (4).

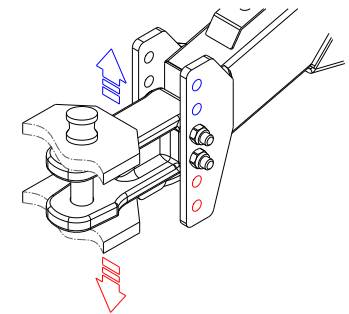
Next, the operator turns the handle (5) on the bearing foot to lift the latter as high as necessary to move it from its position to that required for trailing the rake.

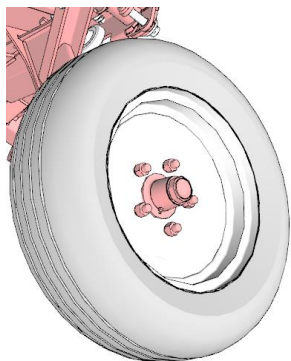
To remove the bearing foot: remove the R-pin (6), pull out the handle pin (7) from its seat and take the bearing foot out of its housing (8). Next, turn the foot anti-clockwise (9), as shown in figure, and re-insert it in its housing (10). Insert the handle pin in its new seat (11) and fasten it by its R-pin.



Adaptation to ground of the wheels: on the basis of the height of the tractor tow hook from the ground, any wheels (front or rear) can no touch the ground. To avoid so, it is possible to modify the position of the drawbar eyes on its support. To do so:

- unscrew completely the nuts that locking two fixing screws of the drawbar eyes, shown in figure;
- pull out the screws from their seats and move the drawbar eyes upward or downward, as shown in figure;
- re-insert two fixing screws and lock them by tightening of the relative nuts.





WARNING

After the first installation to the tractor, verify that the wheel hubs result greased and, if necessary, do it.

After the first installation to the tractor, grease the wheel hubs in accordance with the task times and methods indicated in the chap. Maintenance.

(Instructions valid only for the **BATRAKE 8 model**) - before any movement of the rake, it will be necessary to lift its rear bearing foot, shown in figure. To do so:

- pull the R-pin that fastens the handle pin;
- pull out the handle pin from its seat;
- scroll up the rake bearing foot until to its lower hole will result aligned with the one on its seat;
- re-insert the handle pin and fasten it by its R-pin.

C3 Hydraulic connections

The hydraulic jacks serve to lower and lift the two mobile chassis and, if available, the central kicker wheel, for setting up the rake in its transport or working configuration. The jacks are powered by the tractor auxiliary circuit and controlled by means of the respective lever in the driver cabin. The piping of the jacks (fitted with quick-released couplings, as shown in figure) must therefore be connected to the respective points on the tractor auxiliary circuit.



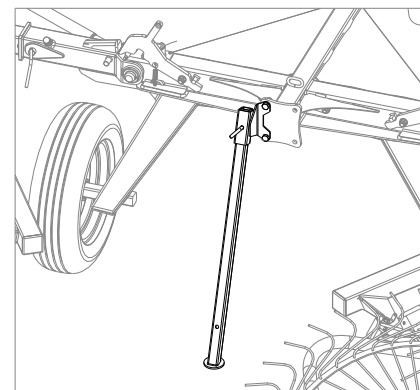
C4 Removal

To remove the rake from the tractor, follow the above instructions in reverse order. The hydraulic connections have to be removed before the actual rake.

C5 Storage of the wheel rake

The Customer must set aside a large and easily accessible area on his premises where the rake can be stored. How to store the rake:

- park the rake in a safe area set apart for the purpose. The area must be flat and even;
- lower the front bearing foot, by turning its handle, until to its circular plate results securely on ground.



- (instructions valid only for the **BATRAKE 8 model**) – lower the rear bearing foot as follows:

- pull the R-pin that fastens the handle pin;
- pull out the handle pin from its seat;
- scroll down the rake bearing foot until to its lower hole will result

aligned with the one on its seat;

- re-insert the handle pin and fasten it by its R-pin.
- detach the rake from the tractor, following the instructions in paragraph C2 and C3 in reverse order;
- place protective material over the rake.

OPERATION and USE

D1 Preliminary information

Suitable and optimal use of the rake not only helps avoid accidents but is also the only way to ensure high yield and make use of the rake full potential and performance.

As already said, the rake must be used by a skilled adult operator trained in its use and operation. The operator must therefore have read and fully understood all the instructions in this manual as well as those on the labels and all safety regulations. This is to ensure the safety of the operator, other people and the rake.

Before starting the tractor, you should always take the precautions described in paragraph B2 under the heading "Use" and in paragraph C2 "Hitching to the tractor" and perform the following preliminary checks:

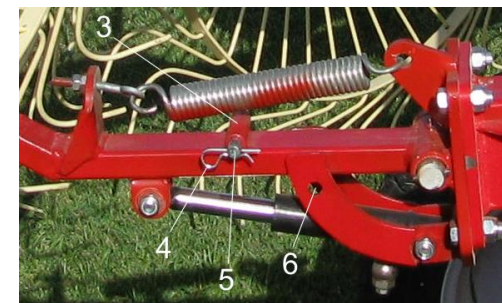
- make sure the rake is properly fitted to the tractor;
- make sure all the parts of the rake are in their intended position and are securely fitted;
- perform the daily maintenance checks described in the respective paragraph. **Note:** should the rake be returned to service after a long period of inactivity, make sure it is in perfect condition and that it has not been damaged in any way by poor weather or storage conditions.

D2 Operation and Use

The rake must be taken to the working area according to the instructions in paragraph B2 under the heading "Moving the rake". In the working area, the operator should then do the following before using the rake:

- the equipment must take the working configuration in the following way:
 - a. **if the kicker wheel is present on the rake:** allow its lowering by removing the associate safety device. Pull therefore the R-pin (4) and pull out the handle pin (5) from its seat (6).

Insert the handle pin in its new seat (3) and fasten it by its R-pin.



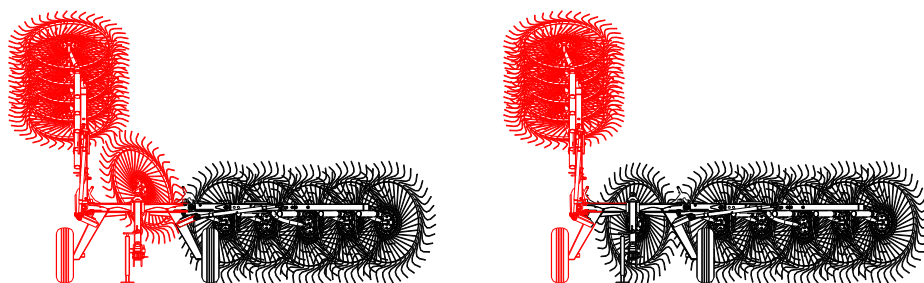
- b. In the tractor cabin, the operator start the engine and after a few minutes, pull at the same time the two cords (1), to unlock the two mobile chassis from the respective locking devices (2);
- c. Start the tractor engine and after a few minutes, by acting on the control lever of the auxiliary hydraulic circuit, to close further the mobile chassis of the rake and at the same time to pull the two cords (1), to unlock the mobile chassis from its locking devices (2);



- d. in the tractor cabin, the operator lower the rake mobile chassis (3) by acting again the control lever of the auxiliary circuit, up to that the wheel teeth will have touched the ground. - **if the kicker wheel is present on the rake:** after the lifting of two mobile chassis also it will be lifted (4) by a proper jack;



Note: If necessary, it is possible to lower just one of the two mobile chassis. To get it into its particular working configuration, shown in figure, it will be enough to pull only the cord attached to the locking device of the mobile chassis that the operator intends to lower. In the same way, if the kicker wheel is present on the rake, the operator will can decide to work with or without it. To do so, it will be enough to remove its locking device (as described at the point a) or to leave the equipment in the transport configuration.



- The wheel rake is ready for the working process since its wheels (respect to the tractor advancing direction) have already a determinate inclination.

D2.1 Working process (swathing)

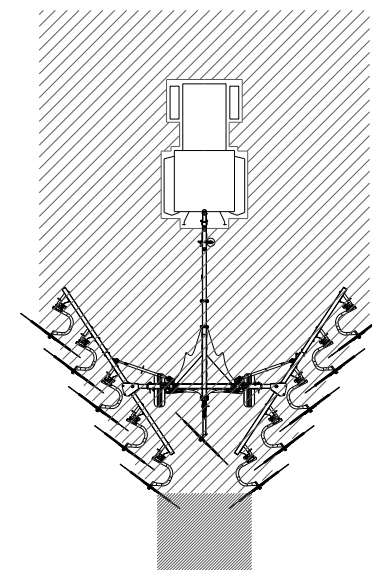
IMPORTANT

The operator will check for any people or animals in the immediate vicinity or in the working area before boarding the tractor; if there are, he will move them to a safe distance.

After which, the operator gets in the tractor cabin, starts the engine, releases the parking brake and can begin the working process.

The rake is extremely easy to use in that it just has to be hitched onto the tractor and then trailed in the required direction. In this way, the teeth on the wheels are pulled along the surface of the ground as the rake is trailed and by turning effect of the wheels form regular and uniform heaps of hay or forage called **swaths** or **withdraws**.

Note: as already said, it is also è possible to form lateral swaths when required for particular working process. See the previously paragraph D2 (step c) to bring the rake in this working configuration.



The additional central wheel (called **Kicker wheel**) serves to move the hay or forage in the area where the swath is formed. Such wheel can be installed only in the rear part of the fixed chassis. It is supplied with an assembly kit and only on request (**optional**).

So as for the mobile chassis, during the working or transport phase, also it will be lowered or lifted by a proper jack.

IMPORTANT

The tractor must be driven in a more or less straight line. To **change direction** a few metres before the end of the field, the operator needs to use the controls to lift the mobile chassis, and the kicker wheel if available, as in transport configuration.



For the change direction it will be not to lock the mobile chassis nor, then, to pull the cords of the respective locking devices (3). Since these devices have been designed and built with a particular extension of their hooks (2) just to do as final



and support point at relative pegs (1) of each mobile chassis. Such solution has been performed to make more practical and quick the lifting and the lowering of the mobile chassis, during the change direction, and consequently to avoid to pull two times the cords within a few minutes.

! DANGER In order to not damage one or both locking devices, the operator will must verify that the operating hydraulic pressure not be upper than 180 bars.

After changing direction, the operator can lower the mobile chassis, and eventually the kicker wheel if available, to continue the working process.

Prior to work breaks (even short ones) the operator must always:

- switch off the tractor engine;
- engage the parking brake;
- place the gear lever in neutral position;
- remove the keys from the dashboard.

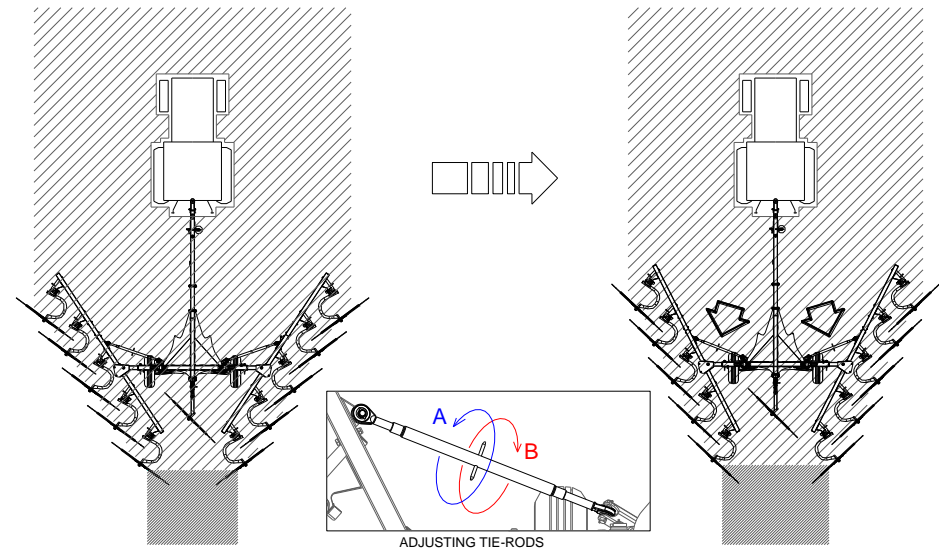
When the operator has finished work for the day, he must return the rake to its transport configuration before returning the tractor to its parking area.

Rake storage instructions are given in paragraph C5.

D2.2 Adjustment of the swath formation

- **Inclination of the mobile chassis:** by increasing or decreasing the inclination of the mobile chassis, respect to the tractor required direction, is modified the swath formation. So that at a minor inclination of the mobile chassis corresponds a decreasing of the harvesting area and so a swath formation more large.

To adjust the inclination of the mobile chassis respect to the tractor required direction, the operator will must intervene, in the same way, on the levers of the apposite adjusting tie-rods, shown in figure.

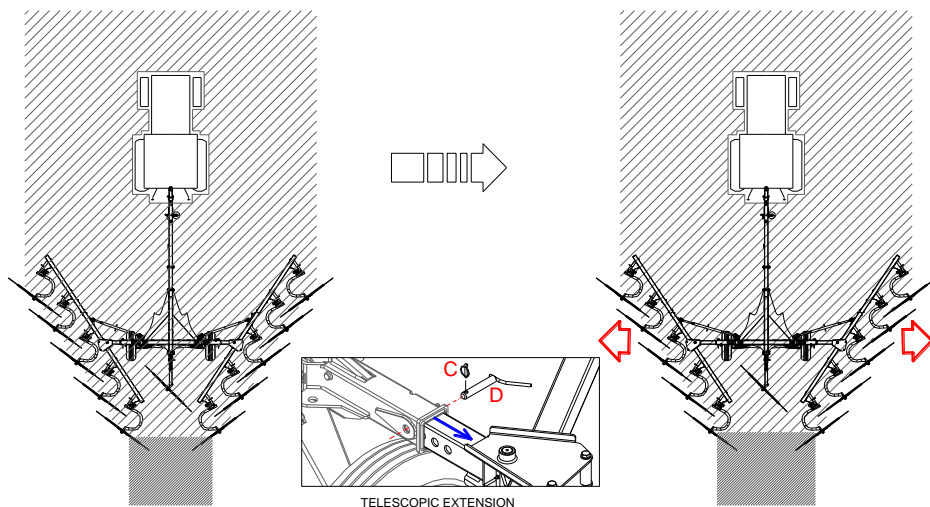


By rotating clockwise one of levers (A - see figure), the respective tie-rod is screwed determining the mobile chassis closure and so a decreasing of its inclination. By rotating in opposite direction the lever (B - see figure), the tie-rod is unscrewed and consequently the mobile chassis opening determines the increasing of its inclination.

- **Telescopic extension of the mobile chassis:** the swath formation can be also modified by increasing the telescopic extension of the mobile chassis so a sto leave unchanged their inclination respect to the tractor required direction.

The telescopic extension will be obtained by acting on the mobile chassis in the same way and before on the one hand and then on the other hand. It will be enough to remove the safety pin (C) and pull out the handle pin (D) from its seat. After which the mobile chassis (included the wheels) will be manually pulled at the required point and locked in this position by inserting the handle pin and the application of the relative safety pin.

To act than on the respective tie-rods to give at the mobile chassis their previously inclination.

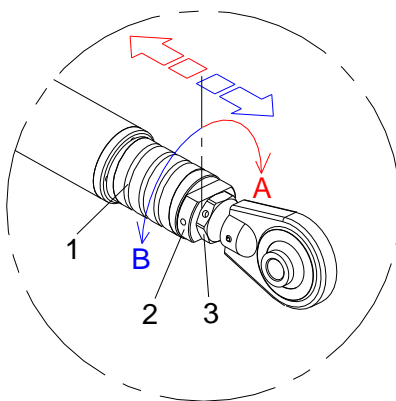


D2.3 Adjustment of the wheel ground pressure

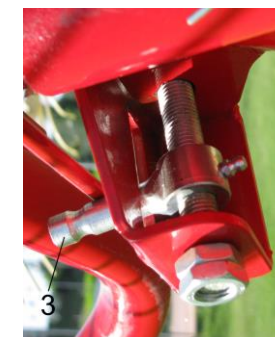
- **Single and double wheels:** in order to uniform the wheel ground pressure it is necessary that the mobile chassis, on which the wheels are installed, are parallel to the ground. To do so, the operator will must adjust the tension of the springs present on the lifting jacks of the mobile chassis.

Therefore, on each jack to loosen the lock nut (3) and then to act on the relative adjusting nut (2).

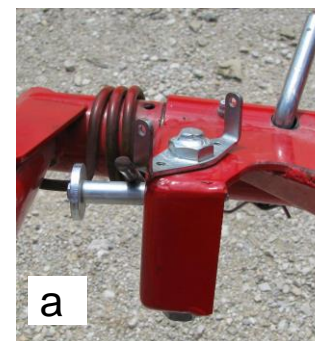
By screwing the nut in A direction, the spring is compressed and than it causes a decreasing of the wheel ground pressure. Instead, by unscrewing the nut in B direction, the wheel ground pressure is increased. – Tighten again the lock nut (3).



- **Single wheel:** they are equipped with a proper device adjusting further them ground adaptation and so in independent way. Such adjustment is performed on an apposite spring device, shown in figure. By rotating clockwise the device 1, that is by screwing it, the pin 3 is lifting and in turn it compresses the spring 2. This compressing causes a decreasing of the wheel ground pressure. By unscrewing the device 1, the pin 3 is lowered causing a spring decompression and so an increasing of the wheel ground pressure.



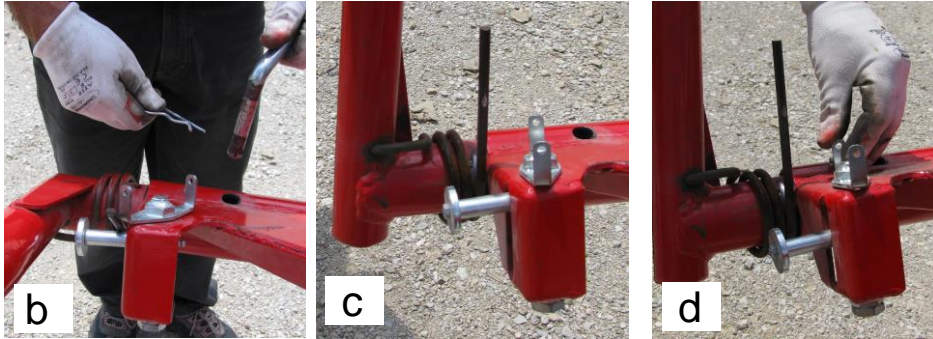
Note: if it is necessary to reduce at the minimum the ground pressure of one or more single wheels, the 1 device can rotate to a certain extent, because its rotation is impeded by the spring (fig. a).



To rotate further the 1 device, to proceed as follows:

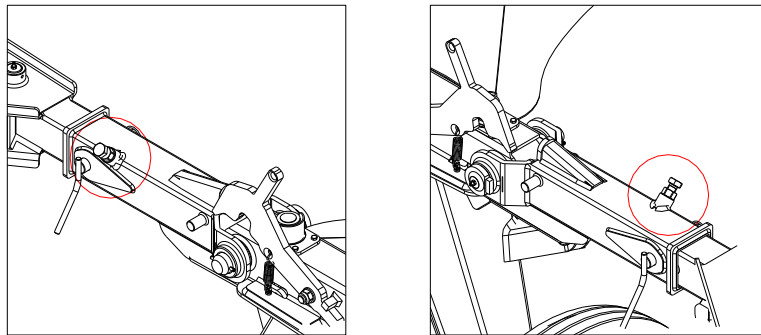
- Remove the handle pin locking the wheel to the chassis, before pulling out the relative R-pin (fig. b);
- Rotate upwards the wheel so to lift its spring too (fig. c);

- c. Rotate the 1 device until the required step (**fig.d**), then to again lower the wheel chassis and lock it by inserting the handle pin and the relative R-pin.



D2.4 Locking of the mobile chassis

The mobile chassis must be always result rigidly locked to the one fixed. If between the tubulars of the respective chassis there is a little clearance, the operator will must right away reinstate its locking. The tightening of the respective screw (because there are two, one for each chassis and shown in figure) will again locks the mobile chassis to the one fixed.



MAINTENANCE

E1 Maintenance instructions

The Manufacturer has drawn up a rake maintenance schedule based on functional tests. This schedule, if followed assiduously by the Customer, can maintain the rake working efficiency and capacity without risk of damage. The operator, who must be a qualified technician of working age, must follow these rules:

- all maintenance and repairs must never be left unfinished or postponed;
- the operator must never rely on his memory alone, but always read and follow the instructions in this manual without fail;
- the operator must install a **“Maintenance in progress”** sign in a prominent position on the tractor dashboard before starting work. This ensures the operator’s safety and can prevent damage to the rake;
- all maintenance must be carried out on a flat and well lit surface, with the rake standing in a stable position and the tractor at standstill, with the parking brake applied, the engine off and the keys removed from the dashboard;
- tools for maintenance must be used in accordance with relative accident prevention regulations. Equipment must not, therefore, be put to improper use, e.g. do not use petrol instead of detergent, or pliers instead of a wrench;
- only use spare parts that are type approved or recommended by the Manufacturer.

After maintenance or repairs, always clear the area of any water, oil, grease, dirty cloths, tools and any other material.

IMPORTANT

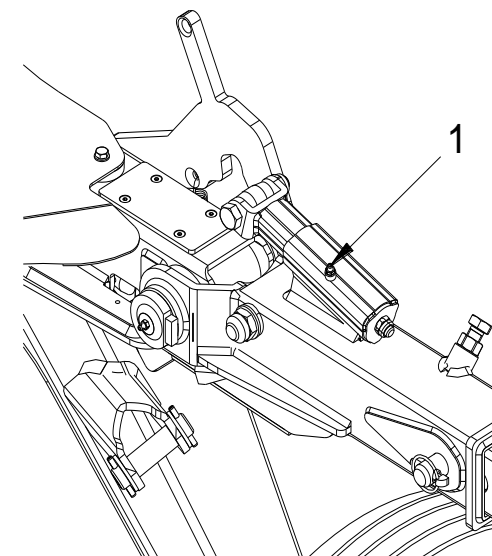
Take extra care when checking for leaks of pressurized fluid as the fluid can leak out of tiny, virtually invisible holes, burn through skin and cause serious infections. You must therefore use safety glasses with side protection and a piece of cardboard or wood to look for leaks.

E2 Programmed maintenance

Programmed maintenance is purely informative and depends on normal operating conditions. It may therefore differ in relation to the type of service, working environment (which may be dusty), the season, etc. Maintenance should be stepped up the tougher the machine operating conditions.

E2.1 Preliminary check

Before using new wheel rake, it is necessary to lubricate the shaft using grease zerk 1 (see fig. Below). Repeat the lubrication every week.



E2.2 Daily checks

Checks to be carried out on a daily basis before starting work:

- check condition of all the fittings (tightness of connections, condition of sleeves and leaks or overflowing of hydraulic oil);

E2.3 Checks on a weekly basis or per 50 operating hours

Checks to be carried out on a weekly basis or per 50 operating hours:

- check condition of all the labels;
- check condition of all the fittings (tightness of connections);

- condition of sleeves and leaks or overflowing of hydraulic oil);
- check the fasteners and safety devices are all fitted and in good condition;
- make sure all the nuts and bolts are properly fastened;
- check condition of the entire structure.

E3 Lubrication

To top up the greasers, remove their protection caps (if present), remove all traces of dust and then use the pump to inject the grease. Afterwards, use a cloth to remove any excess grease on the greasers. Use a brush to apply grease wherever there aren't any greasers. Use only the type of grease recommended by the Manufacturer. All the top-up points are marked with labels like the one illustrated.



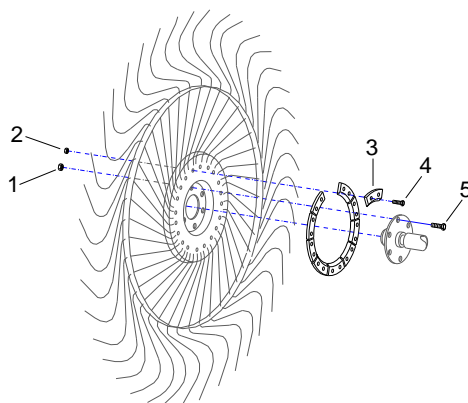
Use only the type of grease recommended by the Manufacturer. All the top-up points are marked with labels like the one illustrated.

IMPORTANT

To avoid pollution, it is strictly forbidden to dispose of oil, lubricants, filter cartridges or other noxious materials in the environment. Comply with all regulations in force on the disposal of liquid and solid substances.

E4 Replacing a wheel and/ or its teeth

Wheel : If you need to replace a wheel, fully undo the six retainer nuts (1), undo the respective screws (5) and remove the wheel from its coupling (or hub).



Put on a new wheel, do up the six screws and then also the respective nuts.

Teeth: if you need to replace one or more of the teeth (being worn or broken), you must remove the respective retainer plate (3). To do this, fully undo the two retainer nuts (2) and the respective screws (4). You can then remove the plate and teeth.

Put in the new teeth, reinstall the plate, then do up the two retainer screws and respective nuts.

E5 Troubleshooting

The jack activation command does not respond	Hydraulic oil level low	Top up oil level
	Hydraulic system piping is damaged	Replace piping
	Hydraulic pump is damaged	Replace pump
	Filter is clogged	Replace filter
The jacks only move intermittently	Air in the hydraulic circuit	Operate the pump at no load for a few minutes, using the jacks, to expel any air in the hydraulic circuit
The jacks move even when the command is not given	Jack seals are worn out	Replace seals
Overheated oil	Filter is clogged	Replace filter
	Pipes are crushed	Check and replace Pipes
	Oil level low	Top up oil level

Oil loss	Slow connection Worn out seal	Squeeze the pipe Replace the seal
----------	----------------------------------	--------------------------------------

Note: contact the Manufacturer about any faults or trouble not mentioned in the table.

E6 Machine demolition: disposal of materials

When the rake is placed out of service, you must make harmless all parts that could pose a safety risk to persons, animals and the environment when sent for disposal. Materials that make up the rake and should be set aside for segregated disposal are:

- steel
- iron
- hydraulic oil
- rubber
- plastics

These materials must be disposed of in compliance with the associated national legislation in force.



ENOAGRICOLA ROSSI s.r.l.

06019 Calzolaro di Umbertide Perugia Italia

Tel. (39) 075-930 22 22 - Telefax (39) 075-930 23 28

enorossi@enorossi.it - info@enorossi.it

www.enorossi.it - <http://www.enoagricolarossi.com>