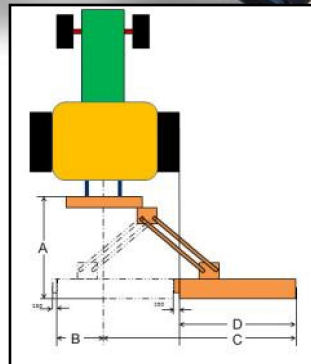
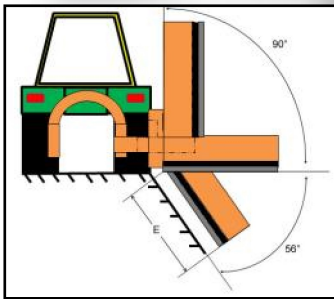


Flail Mowers

Tar River Implements now offers a number of choices when it comes to flail mowers. A 3 point version that is offset manually in a 71" foot working width, a 97" hydraulically offset 3 point model, and finally available in 60" and 67" sizes, the RB Series. The RB is a robust Slope Flail mower designed with heavy hammers and heavy frame to handle tough conditions.



Offset Flail Mower

Specifications FLM:

- Standard Hammer Blades
- 4 1/2" Diameter Flail Shaft
- 9/16" Flail Shaft Wall Thickness
- 3/8" Side Panel Thickness
- 3/16" Top Body Thickness
- Category 1 Hitch
- Powder Coat Paint

Model	Working Width	Offset	HP	Weight	List Price
FLM-180	71"	Manual Offset - up to 15.75"	30-60	922 lbs.	\$3,950
FLM-220H	87"	15.75" Hydraulic Offset	30-60	1,060 lbs.	\$4,835

Slope Flail Mower

Model	Working Width	Cutting Angle	MIN HP	Weight	List Price
RB-160	60"	90°Up & 56°Down	70	1610 lbs.	\$8,450
RB-180	67"	90°Up & 56°Down	85	1,940 lbs.	\$9,150